

WOW! suspension

Matteo Ugolini design

year 2014

TECHNICAL SHEET - SE696CC

SHADE "B"

material linen
colour white



CEILING CUP "E"

material metal
colour glossy white

ELECTRICAL CABLE "C"

material PVC
colour transparent

SUSPENSION CABLE "F"

material steel

ELECTRICAL SYSTEM

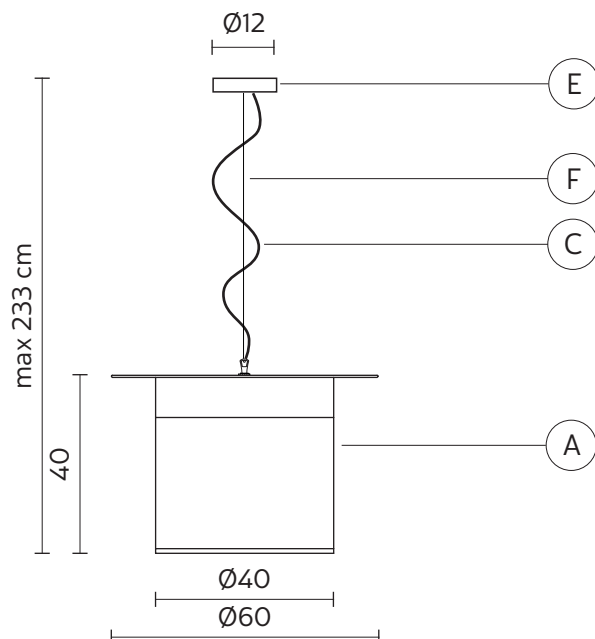
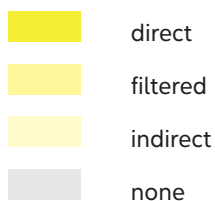
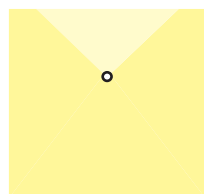
socket E27
source max 1x70w
energy class from E to A++

PACKAGING

nr. of collis 1
net weight/kg 2,4
gross weight/kg 4,7
packaging/cm 64x64x67

EMISSION OF LIGHT

unidirectional



CERTIFICATION

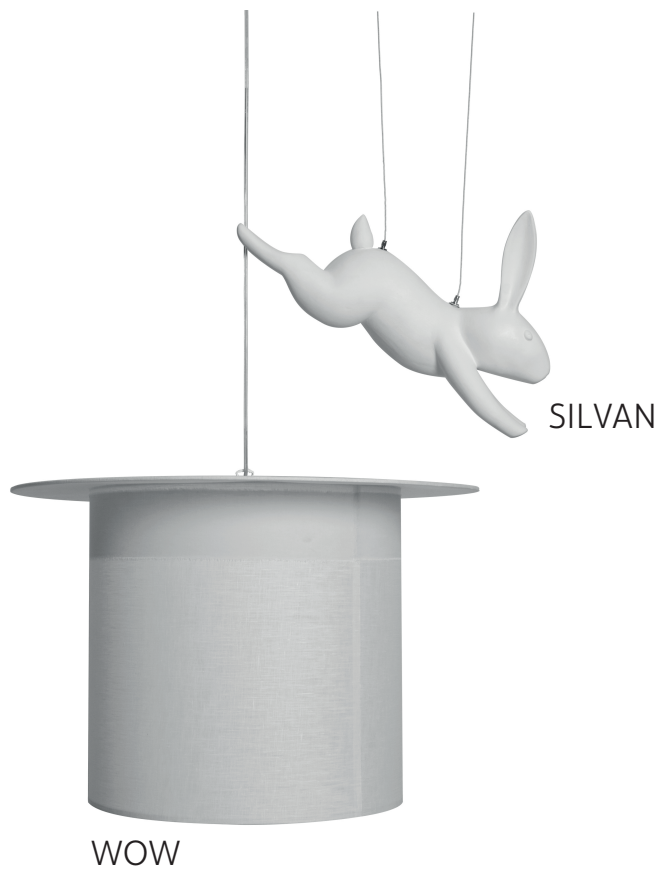
IEC 60598-1:2008
EN 60598-1:2008 + A11:2009



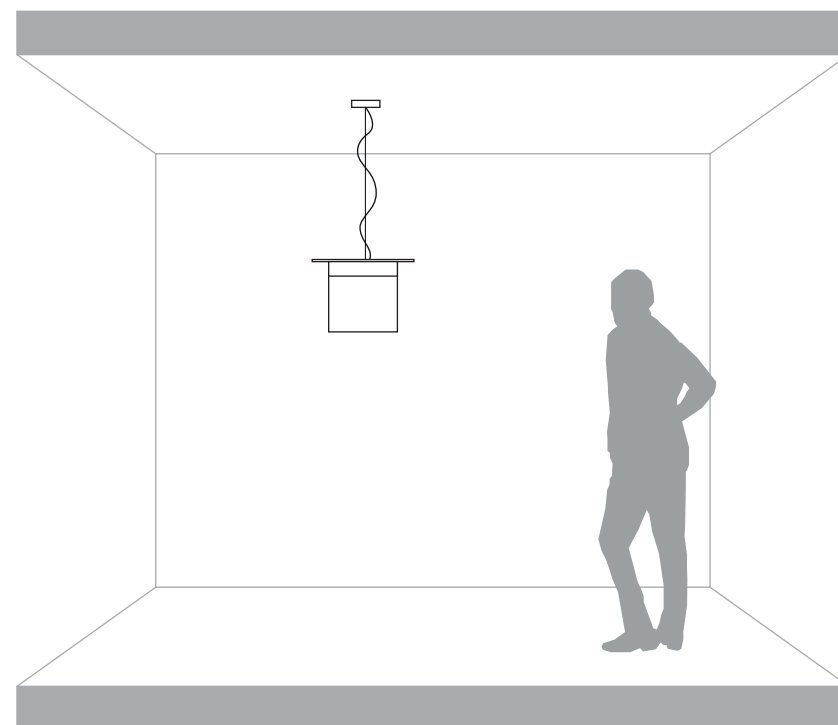
ip rate IP20
bulb not provided

WOW E SILVAN

SE696CC (wow)
SE697CO (silvan)



220-240 V.
max 1x70w - E27

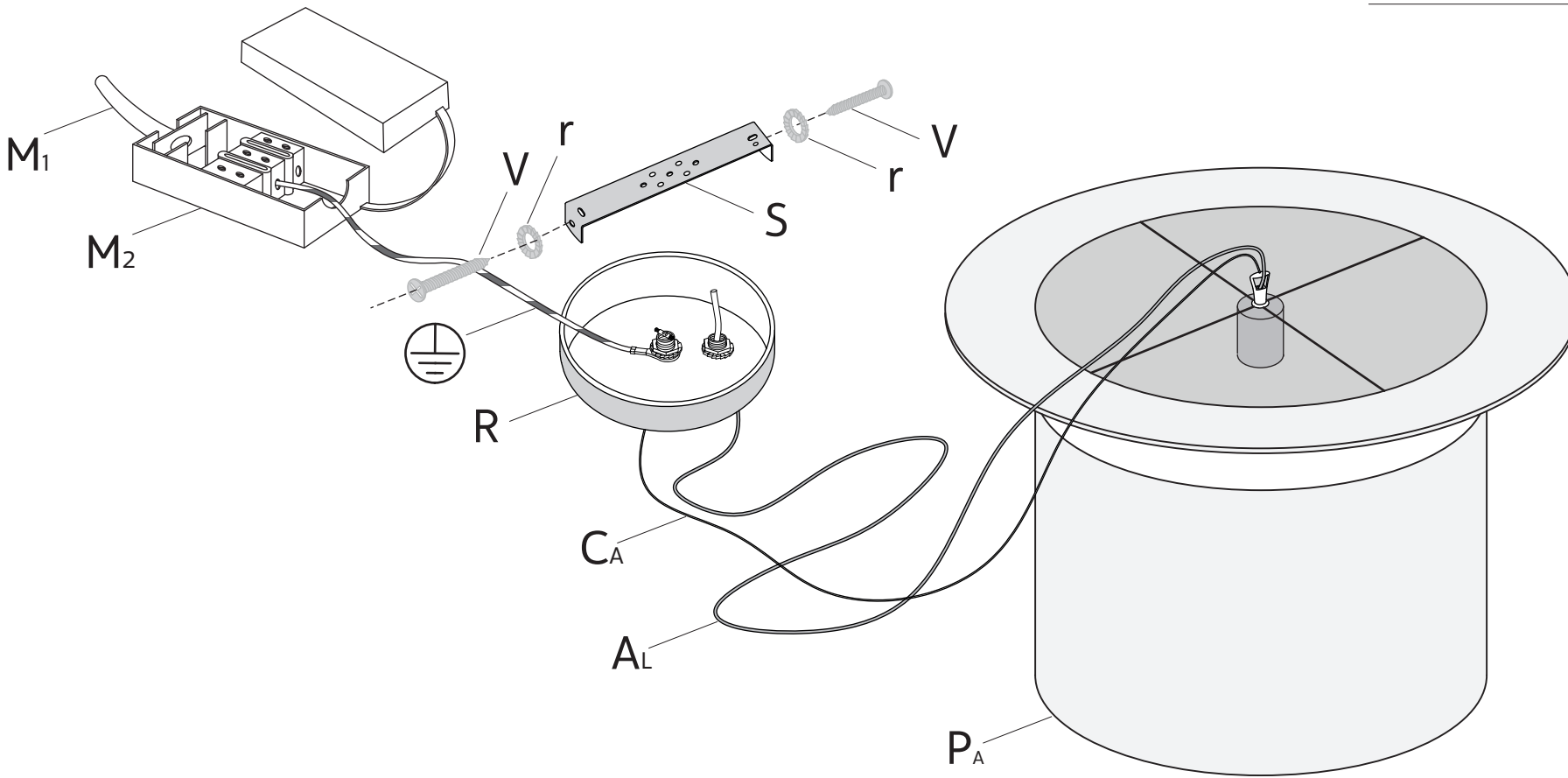
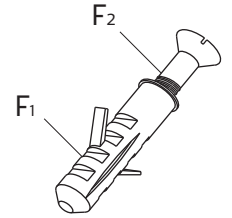


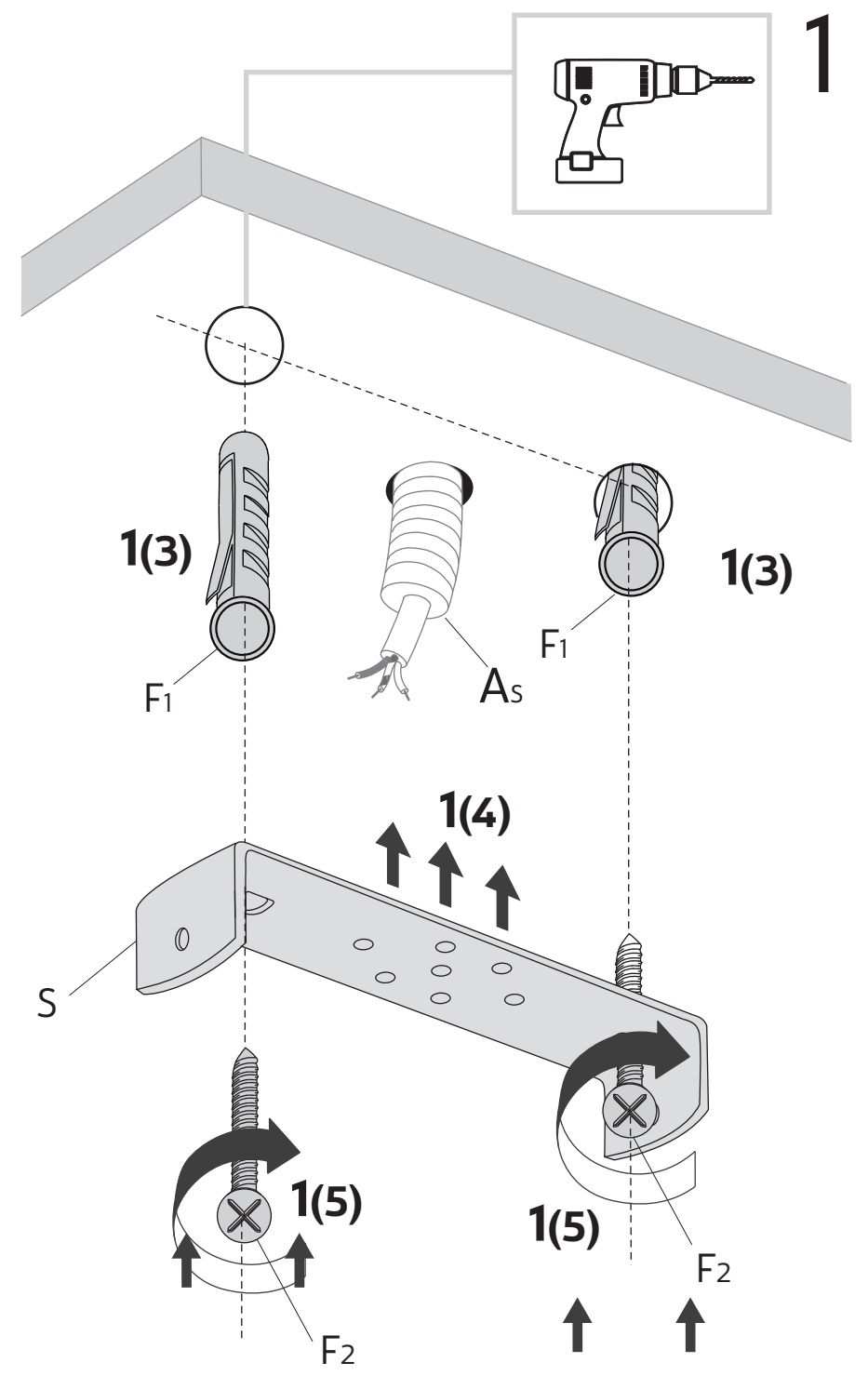
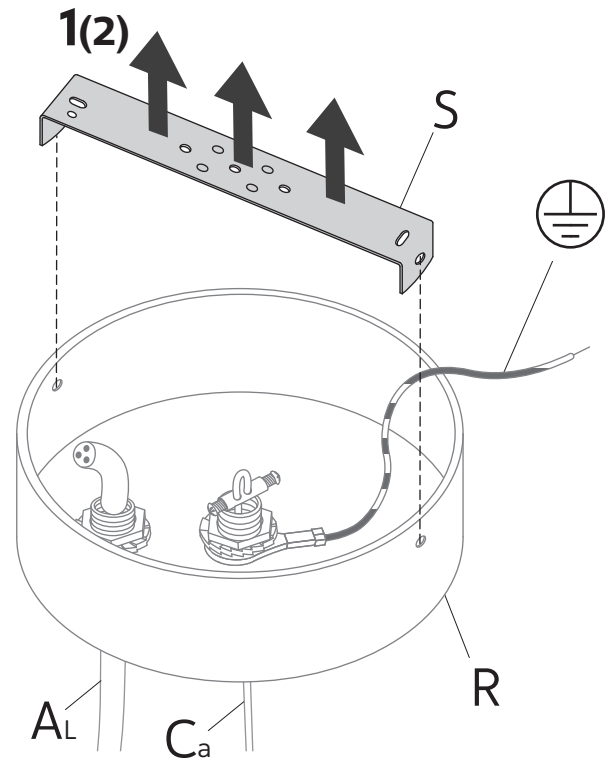
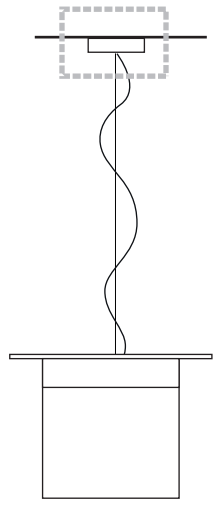
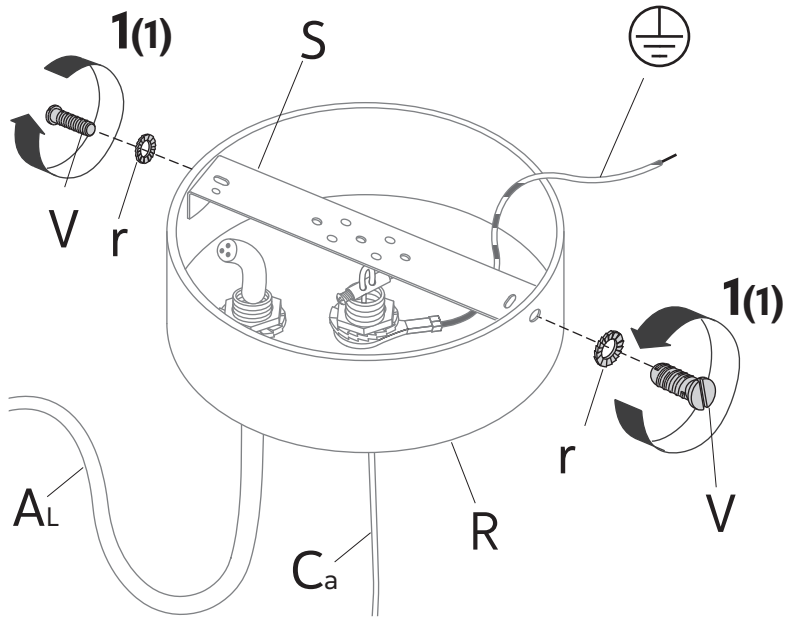
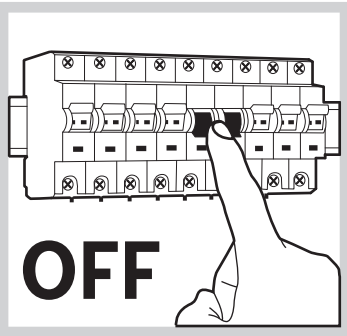
Karman srl

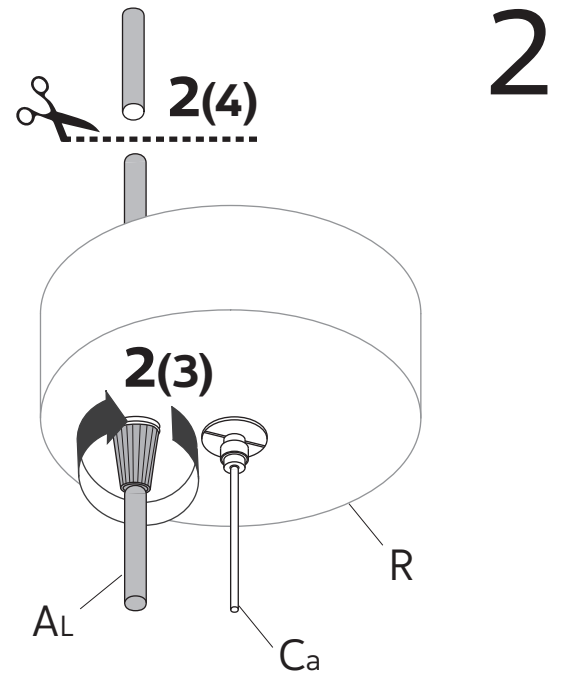
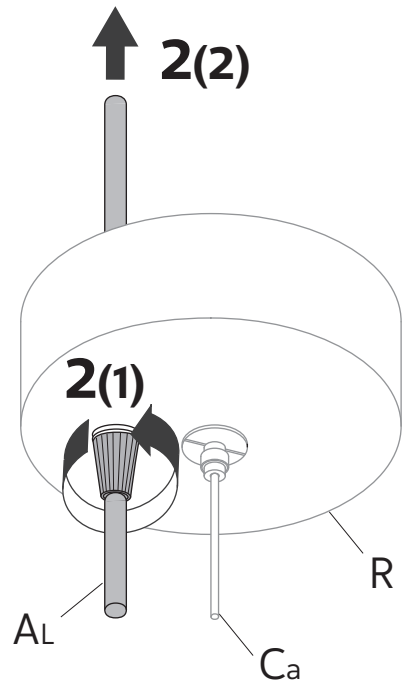
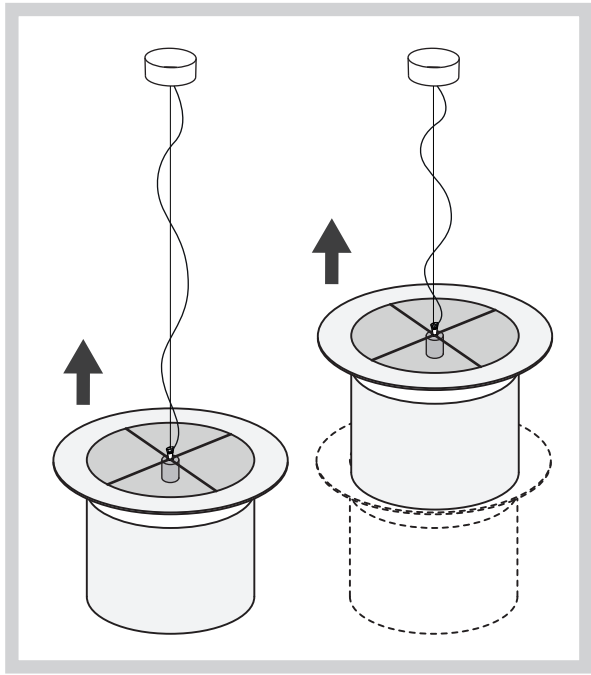
Via A. Grandi, San Martino del piano, 61034 Fossombrone (PU), Italy - p.iva 02175640412 tel +39 0721 71 5042 r.a fax +39 0721 716640 - www.karmanitalia.it

C - 01

2x F







2

