

SISMA suspension

Matteo Ugolini design

year 2015

TECHNICAL SHEET - SE112 1B INT

STRUCTURE "A"

material	construction site's ribbed rebar
colour	matt white



ELECTRICAL CABLE "C"

material	fabric cable woven
colour	black



CEILING CUP "E"

material	metal
colour	matt white

SUSPENSION CABLE "F"

material	steel
----------	-------

ELECTRICAL SYSTEM

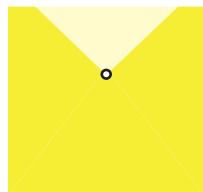
socket	E27
source	max 3x77w
energy class	from E to A++

PACKAGING

nr. of collis	1
net weight/kg	4,5
gross weight/kg	6,7
packaging/cm	63x63x67

EMISSION OF LIGHT

one-directional



	direct
	filtered
	indirect
	none

CERTIFICATION

IEC	60598-1:2008
EN	60598-1:2008 + A11:2009

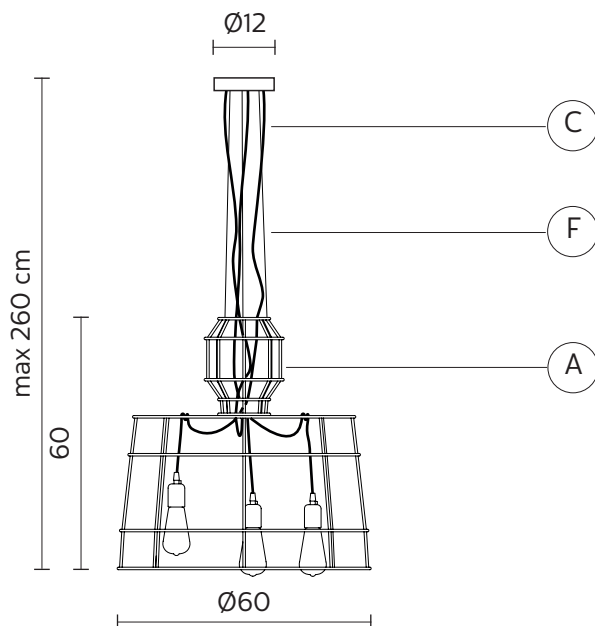


IP rate	IP20
bulb	optional



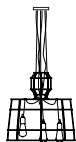
item number **700L**
decorative bulb
E27 - 25w - ≤60 lumen
class E

these items are special, decorative bulbs not for illumination purposes



COLLECTION

available also as: floor lamp



SE112 1T INT


SISMA suspension

Matteo Ugolini design


year 2015

TECHNICAL SHEET - SE112 1T INT

STRUCTURE "A"

material	construction site's ribbed rebar	
colour	natural	

ELECTRICAL CABLE "C"

material	fabric cable woven	
colour	black	

CEILING CUP "E"

material	metal
colour	transparent matt

SUSPENSION CABLE "F"

material	steel
----------	-------

ELECTRICAL SYSTEM

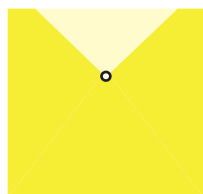
socket	E27
source	max 3x77w
energy class	from E to A++




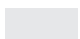
PACKAGING

nr. of collis	1
net weight/kg	4,5
gross weight/kg	6,7
packaging/cm	63x63x67

EMISSION OF LIGHT

one-directional



	direct
	filtered
	indirect
	none

CERTIFICATION

IEC	60598-1:2008
EN	60598-1:2008 + A11:2009

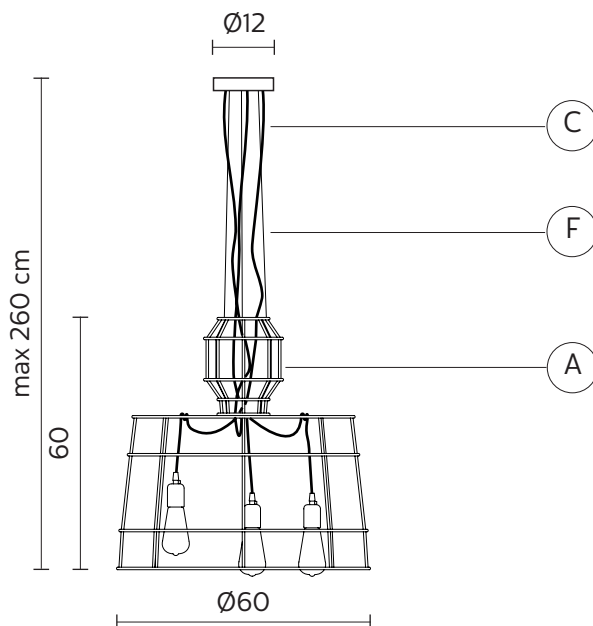


IP rate	IP20
bulb	optional



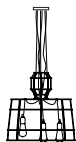
item number **700L**
decorative bulb
E27 - 25w - ≤ 60 lumen
class F

these items are special, decorative bulbs not for illumination purposes



COLLECTION

available also as: floor lamp



SE112 1B INT