

LAMINA wall lamp

Edmondo Testaguzza design

year 2019

DATA SHEET - AP192AB EXT

LAMP "A"

material aluminum
colour matt white

COVER "B"

material PMMA
colour opal

ELECTRICAL CABLE "C"

colour transparent

ELECTRICAL SYSTEM

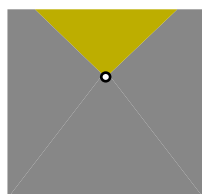
source 1x LED
12,4W, 1300lumen
3000K CRI ≥ 80
class A+



PACKAGING

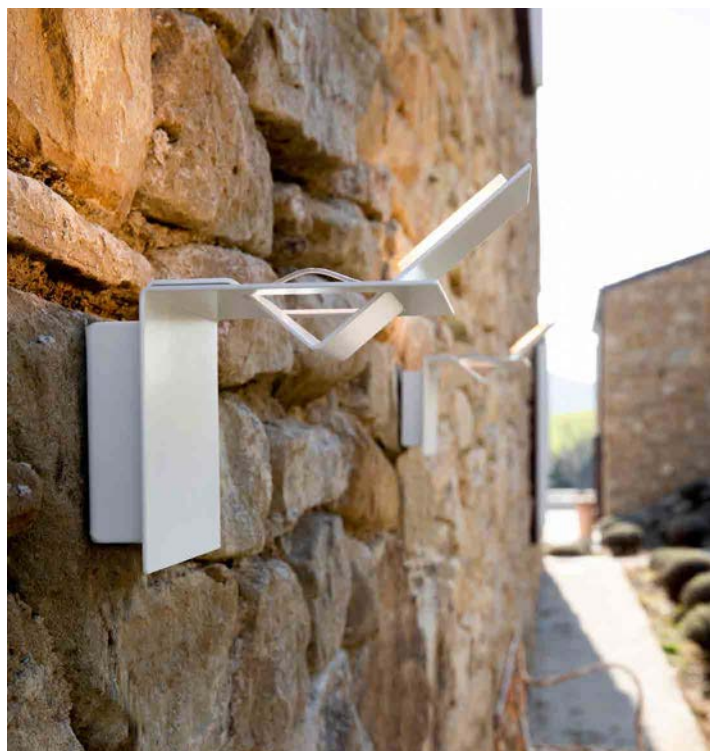
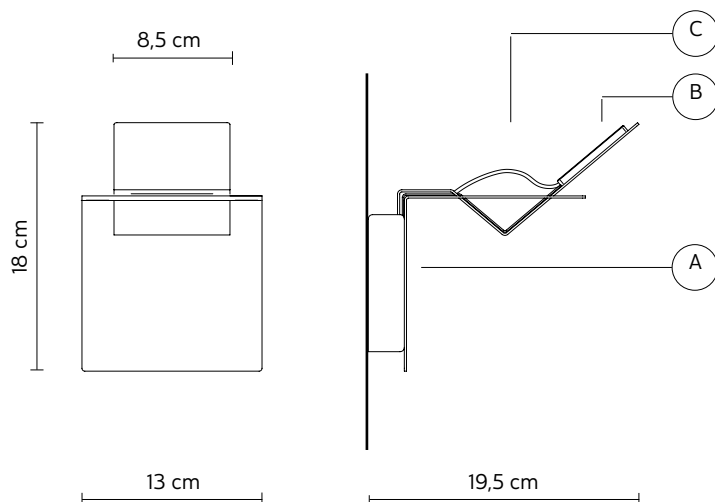
n° cartons 1
net weight/kg 0,8
gross weight/kg 1,3
packaging/cm 24x24x39

LIGHT EMISSION

unidirectional



 direct
 filtered
 indirect
 absence



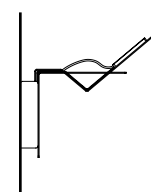
COMPLIANT WITH

IEC 60598-1:2014
EN 60598-1:2015



degree of protection IP55
LED equipped

COLLECTION



AP192AB INT

LAMINA wall lamp

Edmondo Testaguzza design

year 2019

DATA SHEET - AP192AB INT

LAMP "A"

material aluminum
colour matt white

COVER "B"

material PMMA
colour opal

ELECTRICAL CABLE "C"

colour red

ELECTRICAL SYSTEM

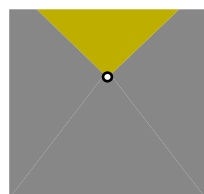
source 1x LED
12,4W, 1300lumen
3000K CRI ≥ 80
class A+


PACKAGING

n° cartons 1
net weight/kg 0,8
gross weight/kg 1,3
packaging/cm 24x24x39

LIGHT EMISSION

unidirectional



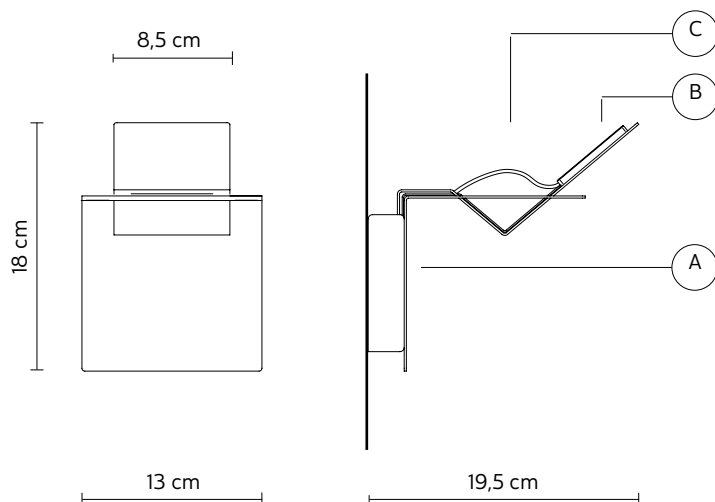
 direct
 filtered
 indirect
 absence

COMPLIANT WITH

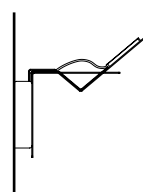
IEC 60598-1:2014
EN 60598-1:2015



degree of protection IP20
LED equipped



COLLECTION



AP192AB EXT