

DÉJÀ VU wall lamp

Matteo Ugolini design

year 2018

DATA SHEET - AP117 3B INT

LAMPSHADE "A"

material ceramic
colour matt white



DIFFUSER "B"

material linen
colour white



ELECTRICAL SYSTEM

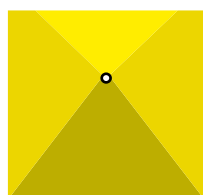
socket E27
source 1 x max 52W
energy class from E to A++



PACKAGING

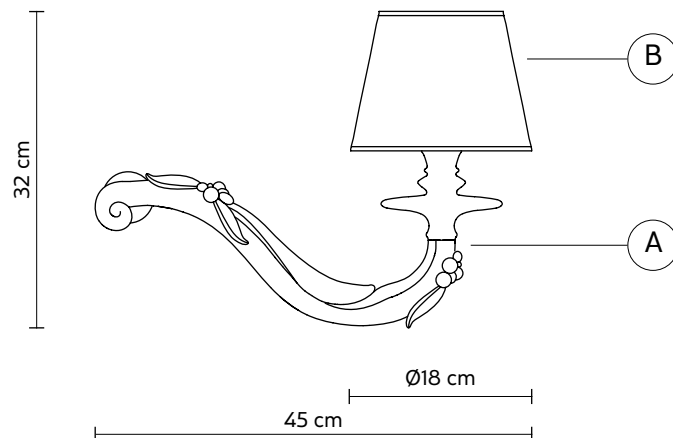
n° cartons 2
net weight/kg 1,2 (A+B)
gross weight/kg 1,6 (A+B)
packaging/cm 38x47x13 (A) - 251x21x20 (B)

LIGHT EMISSION

unidirectional



 direct
 filtered
 indirect
 absence



COMPLIANT WITH

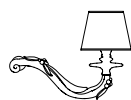
IEC 60598-1:2014
EN 60598-1:2015



degree of protection IP20
bulb not provided

COLLECTION

also available suspension lamp version
and glossy white version



AP117 4B INT

DÉJÀ VU wall lamp

Matteo Ugolini design

year 2011

TECHNICAL SHEET - AP627-60B

STRUCTURE "A"

material ceramic
colour glossy white



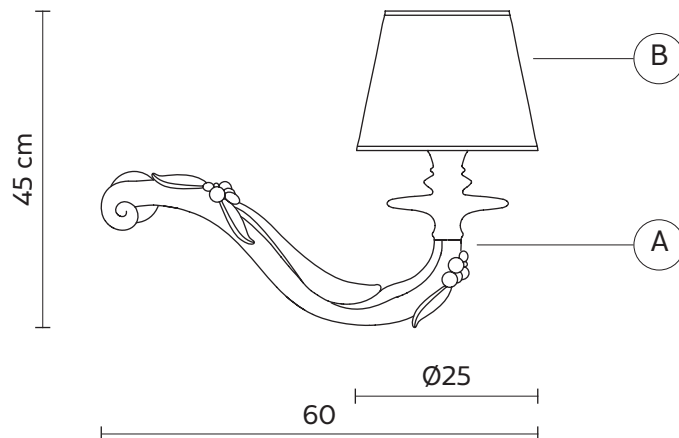
STRUCTURE "B"

material linen
colour white



ELECTRICAL CABLE

socket E27
source max 1x52w
energy class from E to A++

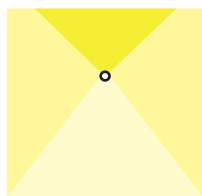


PACKAGING

nr.of collis 2
net weight/kg 2
gross weight/kg 2,6
packaging/cm 25x15x19(B) - 38x60x15(A)

EMISSION OF LIGHT

one directional



■ direct
■ filtered
■ indirect
■ none



CERTIFICATION

IEC 60598-1:2008
EN 60598-1:2008 + A11:2009



IP rate IP20
bulb not provided

COLLECTION

available also as: suspension



AP627-60N

AP627-45B

AP627-45N


DÉJÀ VU wall lamp

Matteo Ugolini design


year 2011

TECHNICAL SHEET - AP627-45B

STRUCTURE "A"

material	ceramic	
colour	glossy white	

STRUCTURE "B"

material	linen	
colour	white	

ELECTRICAL CABLE

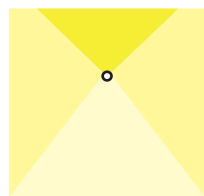
socket	E27
source	max 1x52w
energy class	from E to A++


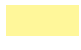

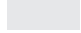
PACKAGING

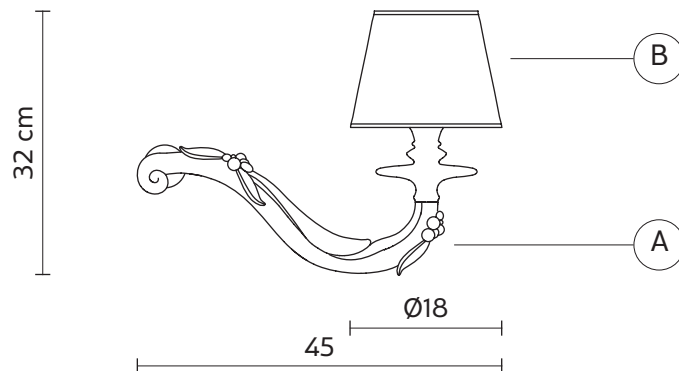
nr.of collis	2
net weight/kg	1,2
gross weight/kg	1,6
packaging/cm	21x21x20(B) - 38x47x13(A)

EMISSION OF LIGHT

one directional



	direct
	filtered
	indirect
	none



CERTIFICATION

IEC	60598-1:2008
EN	60598-1:2008 + A11:2009



IP rate	IP20
bulb	not provided

COLLECTION

available also as: suspension



AP627-60B

AP627-60N

AP627-45N

DÉJÀ VU wall lamp

Matteo Ugolini design

year 2018

DATA SHEET - AP117 4B INT

LAMPSHADE "A"

material ceramic
colour matt white



DIFFUSER "B"

material linen
colour white



ELECTRICAL SYSTEM

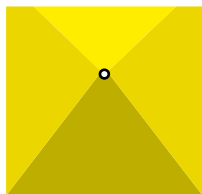
socket E27
source 1 x max 52W
energy class from E to A++

PACKAGING

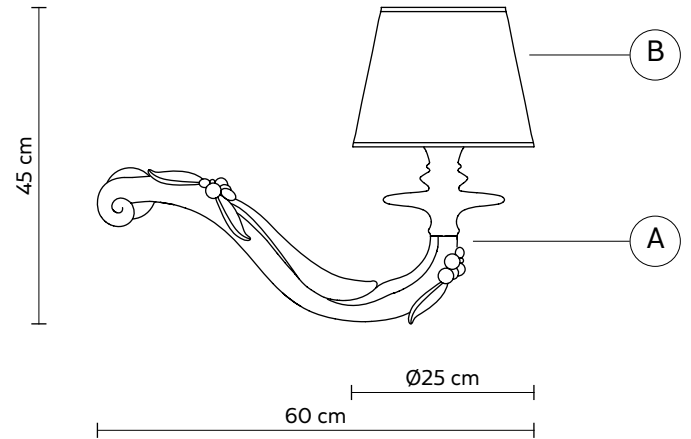
n° cartons 2
net weight/kg 2 (A+B)
gross weight/kg 2,6 (A+B)
packaging/cm 38x60x15 (A) - 25x15x19 (B)

LIGHT EMISSION

unidirectional



 direct
 filtered
 indirect
 absence



COMPLIANT WITH

IEC 60598-1:2014
EN 60598-1:2015



degree of protection IP20
bulb not provided

COLLECTION

also available suspension lamp version
and glossy white version



AP117 3B INT