

# BINARELL wall lamp

Giorgio Biscaro design

year 2019

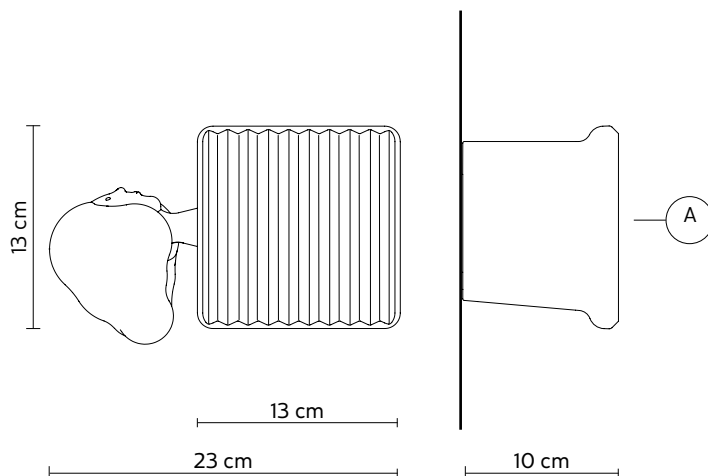
## DATA SHEET - AP200AD INT

### LAMP "A"

material ceramic  
colour matt white

### ELECTRICAL SYSTEM

source 2x LED  
top 7,35W, 958lumen  
down 2,4W, 324lumen  
(tot 1282 lumen)  
3000K CRI  $\geq 80$   
class A+

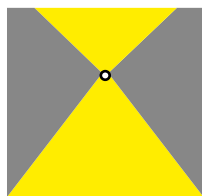


### PACKAGING

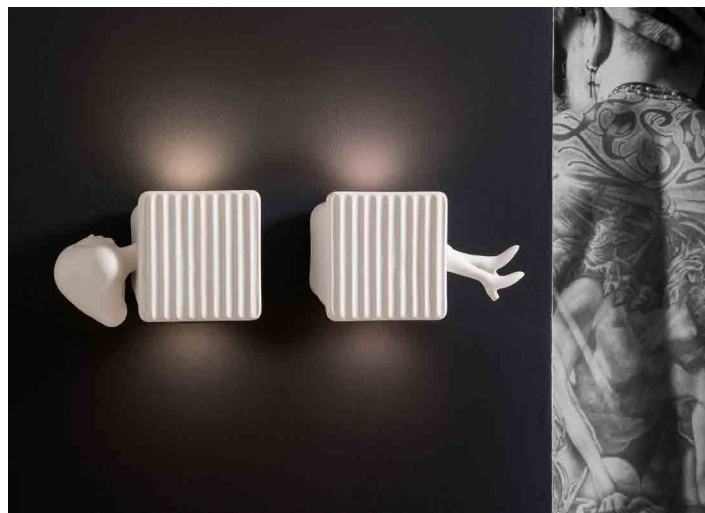
n° cartons 1  
net weight/kg 0,8  
gross weight/kg 1,3  
packaging/cm 24x24x39

### LIGHT EMISSION

bidirectional



direct  
filtered  
indirect  
absence



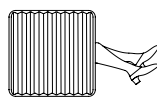
### COMPLIANT WITH

IEC 60598-1:2014  
EN 60598-1:2015



degree of protection IP20  
LED equipped

### COLLECTION



AP200 BD INT

# BINARELL wall lamp

Giorgio Biscaro design

year 2019

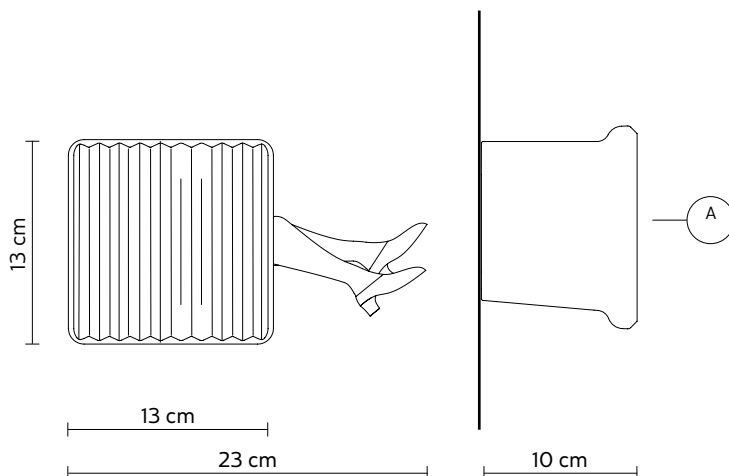
## DATA SHEET - AP200BD INT

### LAMP "A"

material ceramic  
colour matt white

### ELECTRICAL SYSTEM

source 2x LED  
top 7,35W, 958lumen  
down 2,4W, 324lumen  
(tot 1282 lumen)  
3000K CRI  $\geq 80$   
class A+

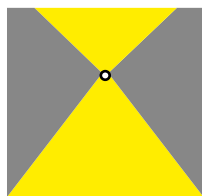


### PACKAGING

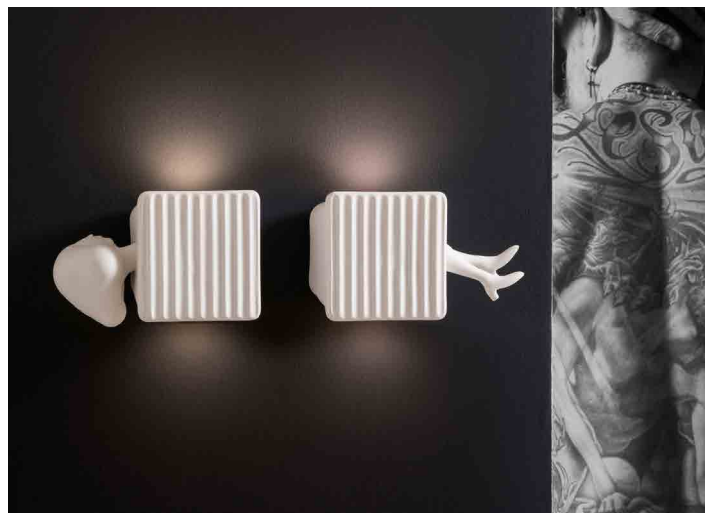
n° cartons 1  
net weight/kg 0,8  
gross weight/kg 1,3  
packaging/cm 24x24x39

### LIGHT EMISSION

bidirectional



direct  
filtered  
indirect  
absence



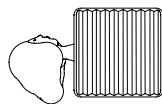
### COMPLIANT WITH

IEC 60598-1:2014  
EN 60598-1:2015



degree of protection IP20  
LED equipped

### COLLECTION



AP200 AD INT