

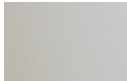
# BACCO table lamp

Matteo Ugolini design

year 2017

## TECHNICAL SHEET - CT143 1B INT

### SHADE "A"

material	glass	
colour	frosted white	

### LOGO "B"

material	metal	
colour	nickel-plate	

### REMOVABLE BASE "C"

material	aluminium
----------	-----------

### LED MODULE

- Led 3,3W, 3000K - 250lm
- Rechargeable batteries 4,8Vdc
- Batteries autonomy 6 hs
- Minimum time to recharge batteries 10 hs

### SINGLE CHARGER

equipped

### PACKAGING

nr. of collis	1
net weight/kg	0,65
gross weight/kg	1,2
packaging/cm	12x12x58

### EMISSION OF LIGHT

one directional

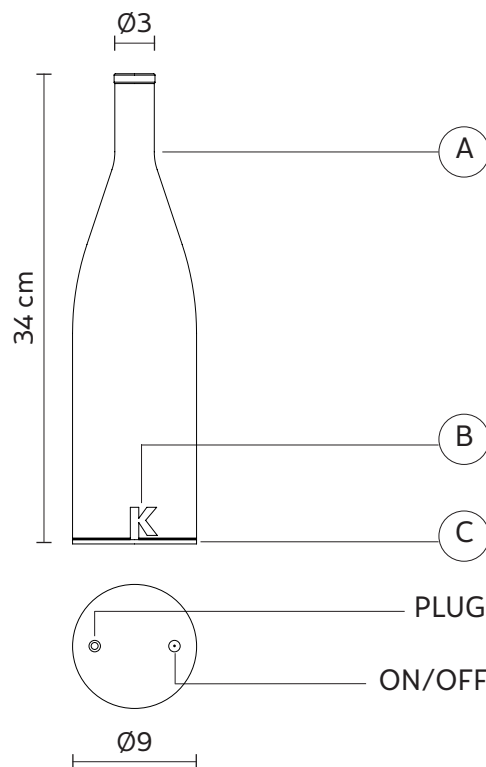


### CERTIFICATION

IEC	60598-1:2014
EN	60598-1:2015



IP rate IP20



# BACCO table lamp

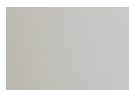
Matteo Ugolini design

year 2017

## TECHNICAL SHEET - CT143 2B INT

### DIFFUSER "A"

material frosted glass  
colour white



### LOGO "B"

material metal  
colour nickel-plate



### REMOVABLE BASE "C"

material alluminium

### LED MODULE

Led 3,3W, **2700K** - 250lm  
Rechargeable batteries 4,8Vdc  
Batteries autonomy 6 hs  
Minimum time to recharge batteries 10 hs

### LED AND SINGLE CHARGER

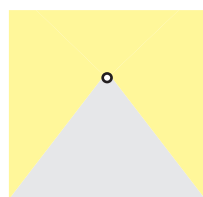
equipped




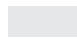
### PACKAGING

nr. of collis 1  
net weight/kg 0,65  
gross weight/kg 1,2  
packaging/cm 12x12x58

### EMISSION OF LIGHT

one directional



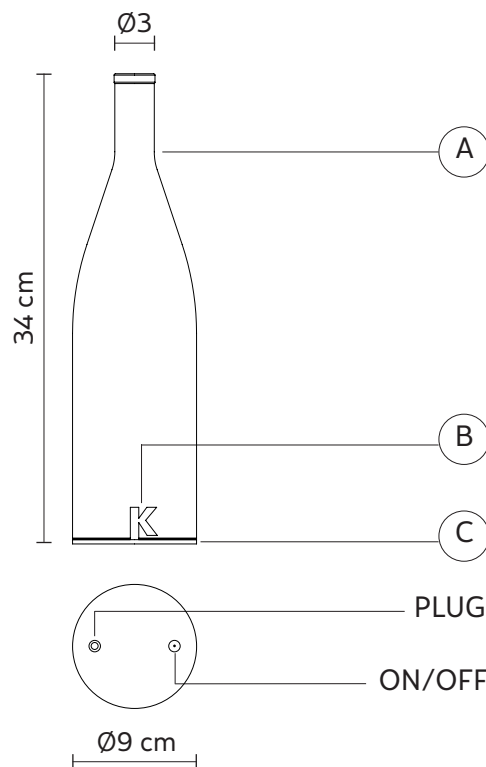
 direct  
 filtered  
 indirect  
 none

### CERTIFICATION

IEC 60598-1:2014  
EN 60598-1:2015



IP rate IP20



# PERBACCO basket accessory

Matteo Ugolini design

year 2017

TECHNICAL SHEET - **AC143 2G INT**

## STRUCTURE "A"

material rod of iron  
colour light grey



## PACKAGING

nr. of collis 1  
net weight/kg 1,3  
gross weight/kg 1,9  
packaging/cm 36x36x24

