

AU REVOIR suspension


Matteo Ugolini design

year 2015

CONFIGURATION A

TECHICAL SHEET


STRUCTURE "A"

material	glass	
colour	opaline white	

CEILING CUP "E"

material	glass	
colour	white	

ELECTRICAL CABLE

material	PVC	
colour	transparent	

SUSPENSION CHAIN "F"

material	steel
----------	-------

ELECTICAL SYSTEM

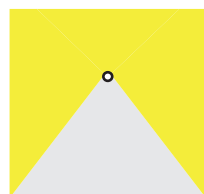
socket	E14
source	max 11x42 w
energy class	from E to A++



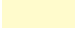
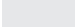
PACKAGING

net weight/kg	23,5
---------------	------

EMISSION OF LIGHT

one-directional



	direct
	filtered
	indirect
	none

CERTIFICATION

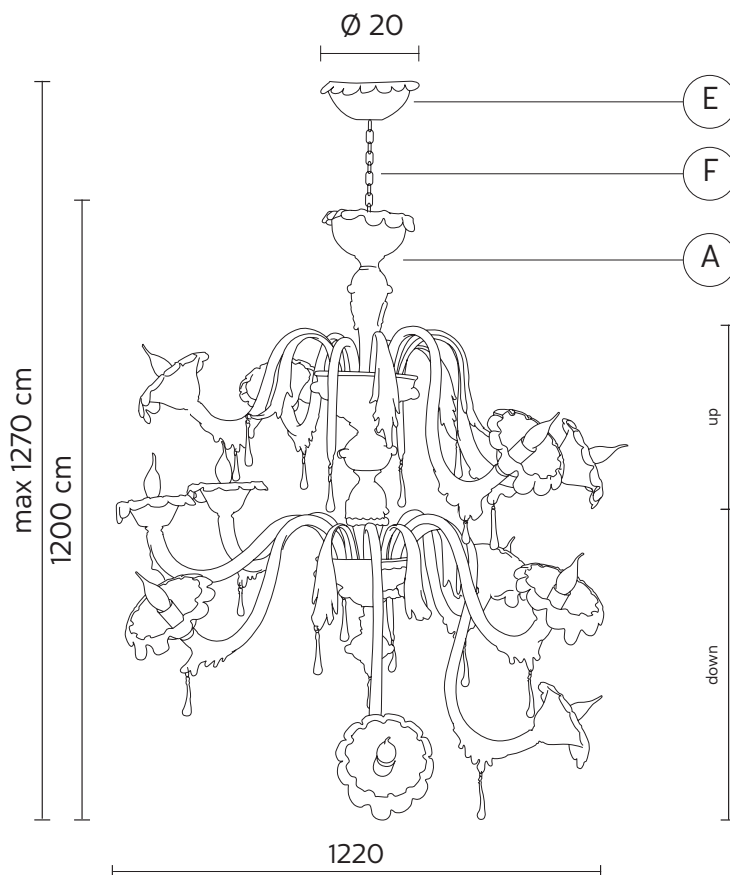
IEC	60598-1:2008
EN	60598-1:2008 + A11:2009



IP rate	IP20
bulb	optional



code **700C**
decorative bulb
E14 - 30w - ≤60 lumen
class E



LIST OF ELEMENTS

up

SE110 0B INT	n. 1
SE110 1B INT	n. 2
SE110 2B INT	n. 2
AC110 1B INT	n. 4
AC110 2B INT	n. 2
AC110 3B INT	n. 7

down

SE110 3B INT	n. 3
SE110 4B INT	n. 2
SE110 5B INT	n. 2
AC110 1B INT	n. 4
AC110 2B INT	n. 1
AC110 3B INT	n. 8

AU REVOIR suspension

Matteo Ugolini design

year 2015


CONFIGURATION B

TECHICAL SHEET


STRUCTURE "A"

material	glass	
colour	opaline white	

CEILING CUP "E"

material	glass	
colour	white	

ELECTRICAL CABLE

material	PVC	
colour	transparent	

SUSPENSION CHAIN "F"

material	steel	
----------	-------	--

ELECTICAL SYSTEM

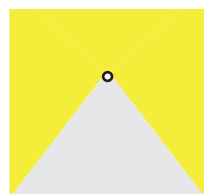
socket	E14
source	max 5x42 w
energy class	from E to A++


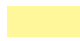

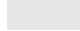
PACKAGING

net weight/kg	15,4
---------------	------

EMISSION OF LIGHT

one-directional



	direct
	filtered
	indirect
	none

CERTIFICATION

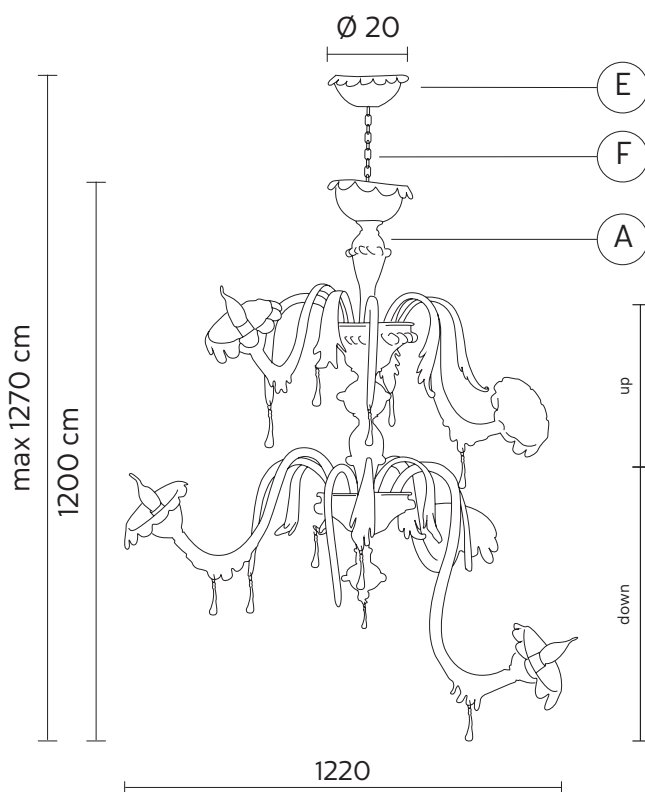
IEC	60598-1:2008
EN	60598-1:2008 + A11:2009



IP rate	IP20
bulb	optional



code **700C**
decorative bulb
E14 - 30w - ≤60 lumen
class E



LIST OF ELEMENTS

up

SE110 0B INT	n. 1
SE110 1B INT	n. 1
SE110 2B INT	n. 1
AC110 1B INT	n. 3
AC110 2B INT	n. 2
AC110 3B INT	n. 4

down

SE110 3B INT	n. 1
SE110 4B INT	n. 1
SE110 5B INT	n. 1
AC110 1B INT	n. 3
AC110 2B INT	n. 2
AC110 3B INT	n. 4

AU REVOIR suspension

Matteo Ugolini design

year 2015

SE110 OB INT

TECHNICAL SHEET


STRUCTURE "A"

material	glass	
colour	white	

CEILING CUP "E"

material	glass	
colour	white	

ELECTRICAL CABLE "C"

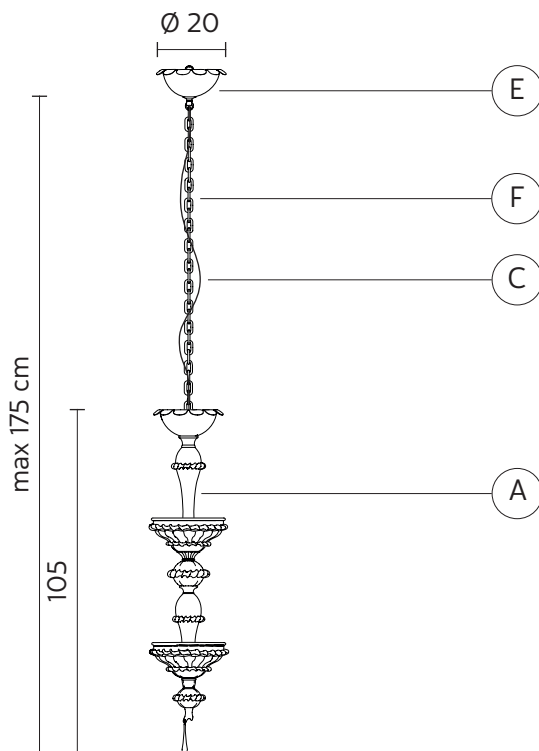
material	PVC	
colour	transparent	

SUSPENSION CHAIN "F"

material	steel
----------	-------


PACKAGING

nr.of collis	1
net weight/kg	6,95
gross weight/kg	7,6
packaging/cm	40x40x95



SE110 1B INT

STRUCTURE "A"

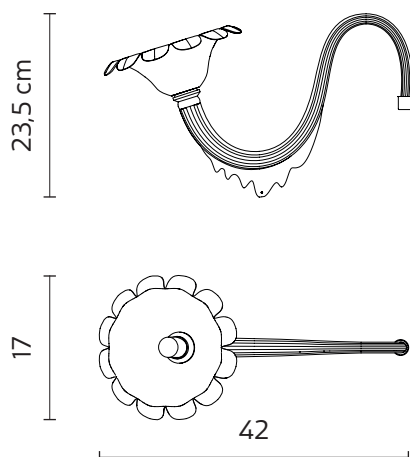
material	glass	
colour	white	

PACKAGING

net weight/kg	1,2
---------------	-----

ELECTRICAL SYSTEM

socket	E14
source	max 1x42w
energy class	from E to A++



SE110 2B INT

STRUCTURE "A"

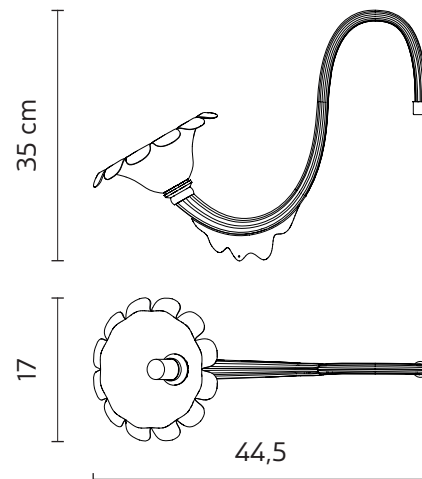
material	glass	
colour	white	

PACKAGING

net weight/kg	1,25
---------------	------

ELECTRICAL SYSTEM

socket	E14
source	max 1x42w
energy class	from E to A++



AU REVOIR suspension

Matteo Ugolini design

year 2015

SE110 3B INT

STRUCTURE "A"

material glass
colour white

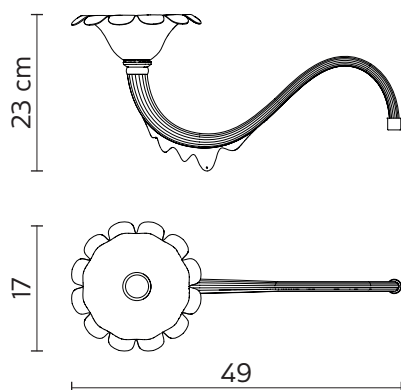


PACKAGING

net weight/kg 1,2

ELECTRICAL SYSTEM

socket E14
source max 1x42w
energy class from E to A++



SE110 4B INT - TECHNICAL SHEET

STRUCTURE "A"

material glass
colour white

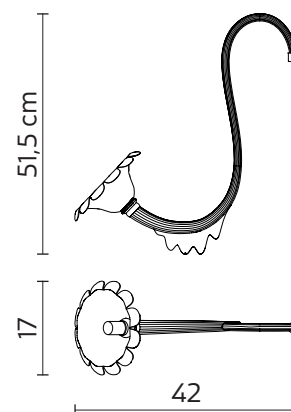


PACKAGING

net weight/kg 1,35

ELECTRICAL SYSTEM

socket E14
source max 1x42w
energy class from E to A++



SE110 5B INT

STRUCTURE "A"

material glass
colour white

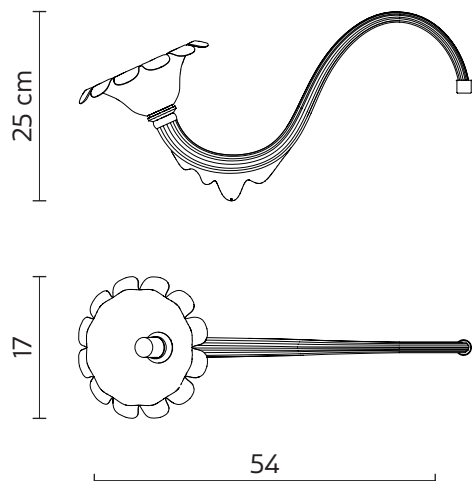


PACKAGING

net weight/kg 1,25

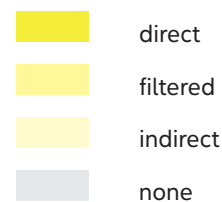
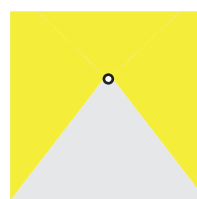
ELECTRICAL SYSTEM

socket E14
source max 1x42w
energy class from E to A++



EMISSION OF LIGHT

unidirectional



CERTIFICATION

IEC 60598-1:2008
EN 60598-1:2008 + A11:2009



ip rate
bulb

IP20
optional



code **700C**
decorative bulb
E14 - 30w - ≤60 lumen
class E

AU REVOIR suspension

Matteo Ugolini design

year 2015

AC110 1B INT

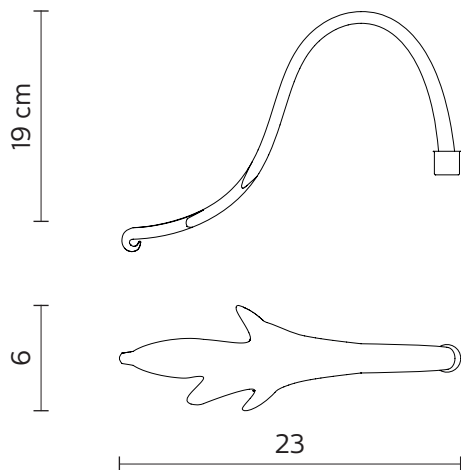
STRUCTURE "A"

material glass
colour white



PACKAGING

net weight/kg 0,2



AC110 2B INT

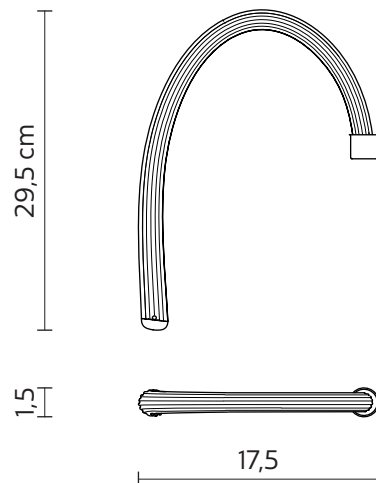
STRUCTURE "A"

material glass
colour white



PACKAGING

net weight/kg 0,15



AC110 3B INT

STRUCTURE "A"

material glass
colour white



PACKAGING

net weight/kg 0,02

