

enea

News & Features 2020
Kaiak

Kaiak

2

Estudi Manel Molina

The Kaiak family features a new spin foot design made of oak wood. The new frame is compatible with the entire collection of the chair or lounge format and works especially well with the wooden shell and upholstery combination. A new update for the family that brings warmth and comfort for soft office or hospitality spaces.

La familia Kaiak incorpora un nuevo diseño de patas spin fabricado en madera de roble. La nueva estructura es compatible con toda la colección en formato silla o lounge y funciona especialmente bien con la combinación de carcasa de madera y tapizado. Una nueva actualización para la familia que aporta calidez y confort para espacios soft office u hospitality.



3

Kaiak Spin Wood seat upholsterd in Kvadrat Divina MD 213 on oak frame, Kaiak with arms upholstered in Kvadrat Divina MD 673 on black stained oak frame and Kaiak Lounge Spin Wood with arms upholstered in Kvadrat Divina MD 873 on black stained oak frame.

4



5

Kaiak Spin with seat upholstered in Kvadrat Divina MD 453 on RAL 9005 Black frame and Kaiak Spin Wood with seat upholstered in Kvadrat Divina MD 213 on oak frame.

6



7

Kaiak Lounge Spin Wood upholstered in Divina MD 453 on black stained oak frame and Kaiak Spin Wood Seat in Kvadrat Divina MD 213 on oak frame.



8

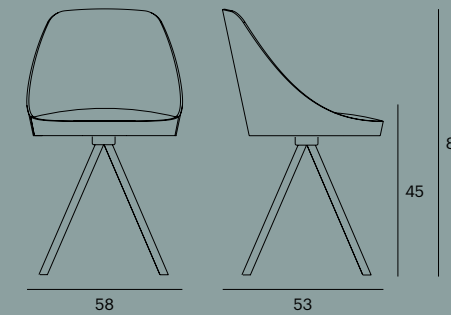
Kaiak Spin Wood

The Kaiak Spin Wood chair features a fixed oak wooden leg perfect to complete the Kaiak and Kaiak Lounge collections. Its warm and comfortable look is suitable for several environments, in combination with wooden or upholstered shells.

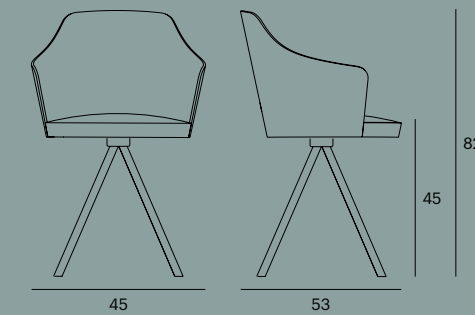
La silla Kaiak Spin Wood incorpora un pie fijo de madera de roble que la hacen ideal para completar las colecciones Kaiak y Kaiak Lounge. Su aspecto cálido y cómodo es adecuado para entornos distintos, sea en combinación de carcasas de madera o tapizados.

Products

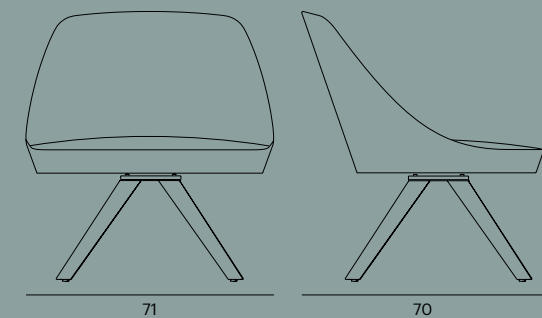
Kaiak spin wood



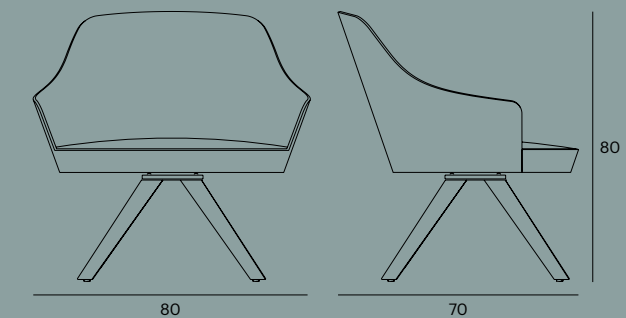
Kaiak spin wood with arms



Kaiak Lounge spin wood



Kaiak Lounge spin wood with arms



9

Shell

- FSC-certified laminated oak wood veneer with recyclable polypropylene with foam union seat pad
- Upholstered in all materials on recyclable foam

Carcasa

- Madera roble de chapa laminada con certificado FSC con union asiento pad de polipropileno y espuma reciclable
- Tapizable en todos los materiales en espuma reciclable

Frame

- FSC-certified oak wood on cast aluminium union

Estructura

- Madera roble certificado FSC en unión de aluminio inyectado

Accesories

- Filter feets

Accesorios

- Pies de filtro

Certificates

- Satisfactory results according norm UNE-EN 16139:2013
- Laminated veneer and wood in oak with FSC certificate
- Optional varnish for fireproof
- Fabrics/leathers materials: check materials' technical characteristics

Certificados

- Resultados satisfactorios según norma UNE-EN 16139:2013
- Chapa laminada y madera roble con certificado FSC
- Opcional barnizado ignifugo
- Telas/cueros: Chequear especificaciones técnicas de materiales

Weight-volume

Product	Weight	Volume	Units/box	Weight/box	Units stackable	Units/trolley	Heat Load
Kaiak spin wood	5.8 kg	65×48×100 cm	1	6.4 kg	-	-	135.66 MJ
Kaiak spin wood with arms	6.1 kg	65×48×100 cm	1	6.7 kg	-	-	142.04 MJ

**Ola Auzoa, 4
20250 Legorreta
Gipuzkoa, Spain
+34 943 806 275
enea@eneadesign.com
www.eneadesign.com**