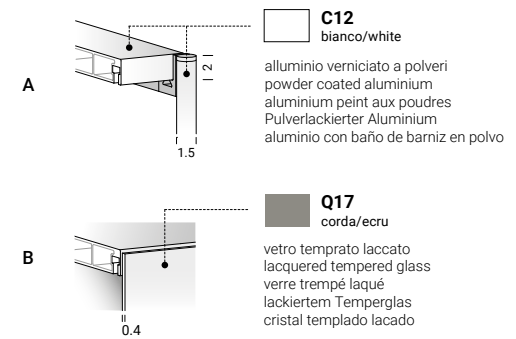
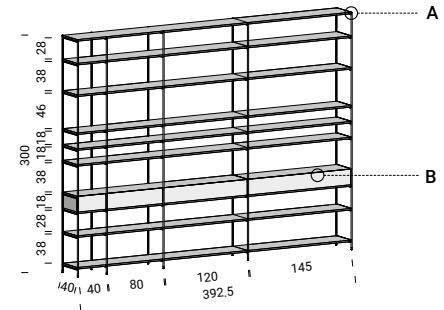






XY
XY03



collection info
pg. 50