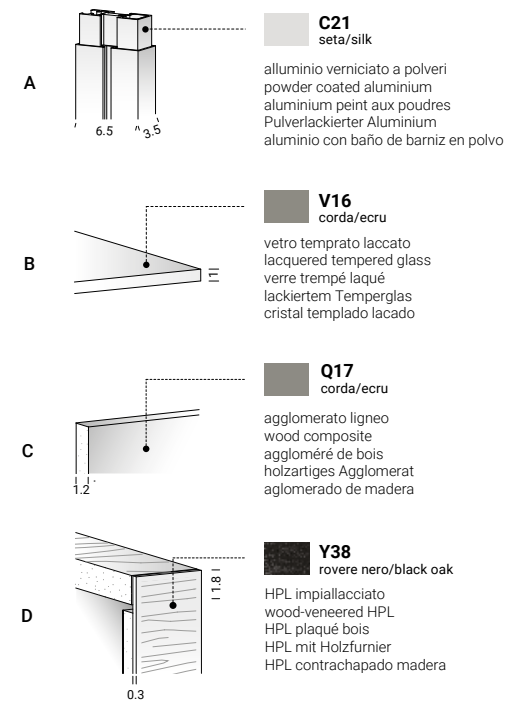
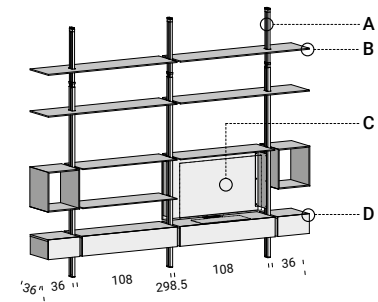






system SY02



collection info
pg. 92



