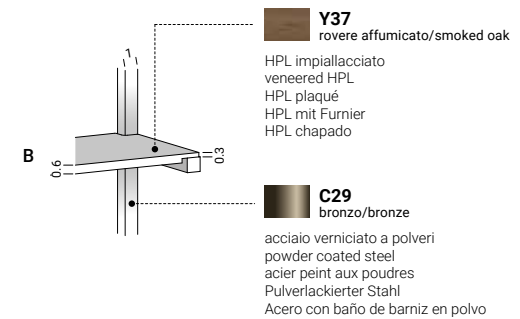
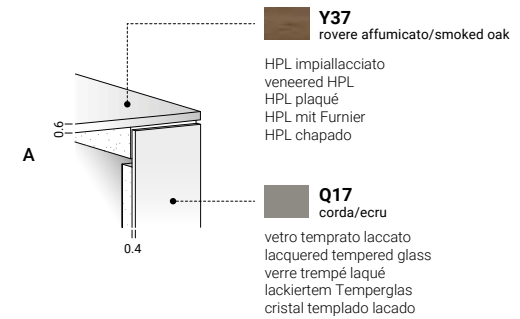
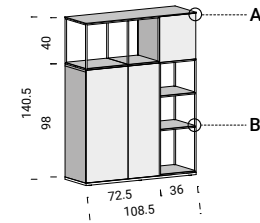






atelier AT04



collection info
pg. 08