



Wall lamp | Applique

Material: Brass | Polycarbonate tube

Matériaux: Laiton | Tube polycarbonate

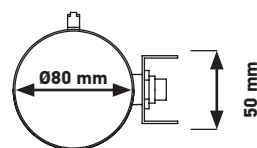
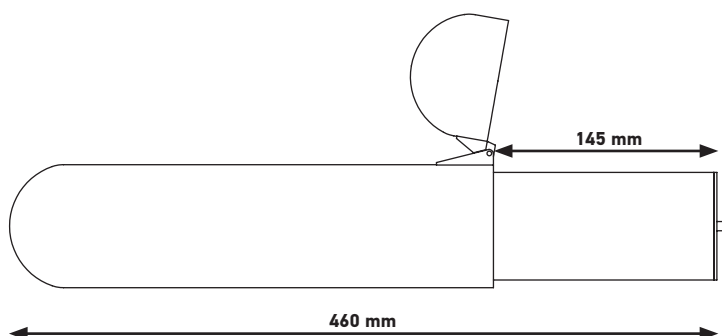
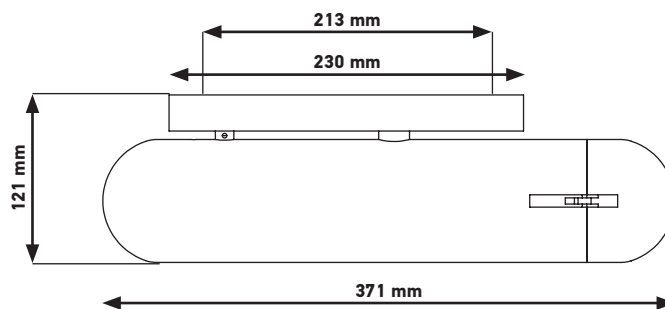
Weight: Net 3 kg | Gross 4 kg

Poids: Net 3 kg | Brut 4 kg

Packaging: 665 × 190 × 220 mm

**CL III – 8W LED INTEGRATED
(INTÉGRÉES)**

IP20  



FINISHES / FINITIONS



ISP WALL BR-L (LEFT)



ISP WALL BR-R (RIGHT)