

RS#2

by RAFAEL RODRÍGUEZ

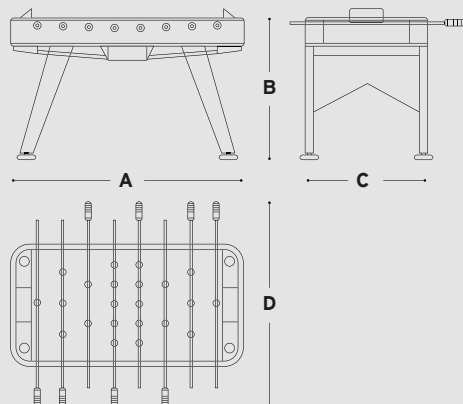
Yes, RS#2 is a football table. A spectacular reinterpretation of one of our cultural classics. It's made in high-quality materials, such as steel with a polyester paint finish. Or like weather resistant stainless steel (model RS#2 Inox). And it's the details that make the difference, such as the rubber-soled levellers, or the glass-holders for the four players. Each table colour comes with standard teams, but the layout of the players and choice of team colours is 100% customizable.

“The RS#2 football table is especially dedicated to all those children who at some time or another have said, “Adults don’t play, they work.””



RS#2

Dimensions:



A - 59 in / 150 cm
B - 38 in / 96,5 cm

C - 31 in / 79,5 cm
D - 51 in / 128 cm

Weight:

218 lb / 99 kg

62 x 50 x 20 in /
157 x 126 x 50 cm
(pallet included)

273 lb / 124 kg
(pallet included)

Materials:

IRON VERSION: Steel with polyester paint

INOX VERSION: Stainless steel

INOX COLOURS: Stainless steel with polyester paint.

FIELD: HPL

PLAYERS: Cast aluminium

HANDLES: Wood with polyester paint

Accessories:

- ⊗ Balls (7 units set) INCLUDED
- +Ⓜ 2 Extra players INCLUDED
- Ⓜ Protective PVC cover NOT INCLUDED
- Ⓜ Flooring anchoring set NOT INCLUDED
- Ⓜ Dining table set (oval or rectangular) NOT INCLUDED

RS# football tables



☀️ OUTDOOR
 🏠 INDOOR
 ● INOX
 ● RAL 9005
 ○ RAL 9016
 ● RAL 3020
 ● RAL 3015
 ● RAL 7035
 ● RAL 5013
 ● RAL 6011

RS#2

IN PROJECTS



- hotel scandic klarälven (karlstad - sweden) -



- kameha grand zürich hotel (zurich) -



- adidas hospitality box - real madrid stadium (madrid) -