

FORC

by Lagranja Studio

Technical specifications (1/2)

m114

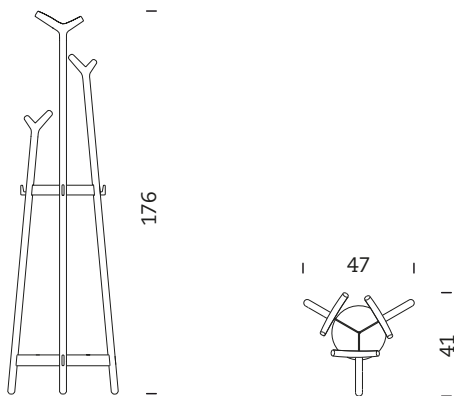
Mobles 114
Pau Claris 99 / esc 2 1r 2a
08009 Barcelona
Tel. 34 / 932 600 114
mobles114@mobles114.com
www.mobles114.com



GENERAL DESCRIPTION

Freestanding coat stand of solid wood for offices, shops, hotels, restaurants, reception areas and for home.
Total capacity of 9 pegs and a supporting base.

DIMENSIONS



MODELS

- Forc beech
- Forc oak varnished natural
- Forc oak varnished walnut color

FORC

by Lagranja Studio

Technical specifications (2/2)

m114

Mobles 114
Pau Claris 99 / esc 2 1r 2a
08009 Barcelona
Tel. 34 / 932 600 114
mobles114@mobles114.com
www.mobles114.com

MATERIALS AND FINISHES

Metal frame

Two metal crosspieces made by 3 steel strips 5 mm thick, support the structure (or hanger).

The higher crosspiece, which also has hooks at the end, located at an optimal, practical height for children to hang their accessories.

The lower crosspiece has steel plate disk, 250 mm in diameter, made from 8 mm-thick sheet steel where bags can be placed.

All the elements are TIG welded.

The metal pieces have been finished in a textured epoxy powder coating, 80 microns thick, 30% matte, white colour RAL 9002 or grey anthracite RAL 7022.

These pieces are joined to the wooden pegs using injected pieces in white or grey polyamide and a stainless steel M5X12 Allen bolt.

Coat hanger

Made up of three turned poles, 32 mm in diameter of three different heights: 176 cm, 157 cm, i 130 cm.

Finished with a CNC machine-tooled piece in the form of a "v", overall measurements 225x125 mm.

This shape permits to optimize the capacity of the coat stand making it more comfortable for users. Its rounded, smooth shape minimises any distortion in garments when they are hung on the stand.

All these elements are made from solid beech or oak, finished with water-based varnish. The oak model with walnut tone has tint added.

PACKAGING, WEIGHT AND VOLUME

The coat stand is supplied dismantled, delivered in 2 boxes.

Hanger

Weight: 4.2 kg

Size: 215x49x40 cm

Volume: 0.42 m³

Metal frame

Weight: 6.5 kg

Size: 55x55x11 cm

Volume: 0.03 m³

All packaging is made of double cardboard box, 100% recyclable.