

BBL

by JM Massana - JM Tremoleda & E Juanola

Technical specifications (1/9)

m114

mobles114 barcelona
Pau Claris 99 / esc 2 1r 2a
Tel. 34 / 932 600 114
mobles114@mobles114.com
www.mobles114.com



GENERAL DESCRIPTION

Shelving system and complements for furnishing libraries.

The singularity of its design is based on the incorporation of Compact Laminate (HPL) into its structural elements, on its extensive range of measurements, accessories and complements, and on combining the different elements to obtain compositions that solve the determining factors of the project.

It includes specific solutions such as containers for books and magazines, modules for CDs or DVDs, modules for comics or children's stories, complements and accessories. The BBL system satisfies technical, structural, functional and storage requirements, to facilitate the librarian's work and permit tidy storage, enabling users to view and locate the elements.

The BBL shelving system is designed to exist alongside the PEY table system, and thus homogenize the furnishing. To this end, both systems use the same materials and finishes to achieve maximum integration. The BBL system has been eco-designed according to ISO standard 14006.

FINISHES

The compact laminate sides afford strength and lightness. At the same time, its minimal thickness – 8mm - provides it with seamless longitudinal continuity and a great aspect of panoramic horizontality.

The structure is made up of compact laminate (HPL) sides with 2 flooring levellers to guarantee that it sits well, as well as a structural framework that gives rise to a solid unit. In addition, the shelves and other components are designed to support loads, provide durability and satisfy standardised safety requirements for this type of furnishing. The shelving may be secured to the wall in special cases.

The structural elements, compact pressure laminate or steel complements and shelves are standardised in white RAL 9002 or dark grey RAL 7039.

BBL Shelving permits personalising the finishes from a large range of options. Consult colour possibilities and delivery times.

BBL

by JM Massana - JM Tremoleda & E Juanola

Technical specifications (2/9)

m114

mobles114 barcelona
Pau Claris 99 / esc 2 1r 2a
Tel. 34 / 932 600 114
mobles114@mobles114.com
www.mobles114.com

SHELVES

Made of 0.8 mm thick folded steel and epoxy painted, the shelves have a 27 cm. useful depth.

The BBL system book shelves have a profile at the rear to protect the books and to guide the bookend support.

They are adjustable in height every 50 mm by means of a support that blocks their movement and prevents accidental falls.

The actual shelf can be rotated so that it slopes and be used to display new releases.

The bookend support, manufactured in PA6 with 30% FG white finish RAL 9002, that runs along the rear of the shelving, enables the books to be firmly kept in place, preventing them from falling or getting lost.

Maximum weight per shelf: 50 kg.



MAGAZINES

The magazine containers have sloping swivel doors to display the front pages, and a space on the inside to store older issues.

CDS/DVDS/COMICS

The BBL system drawers for CDs (capacity for 163 units), DVDs (capacity for 96 units), and Comics have fully extendable telescopic rails and an anti-overturning system. Storage via compartments and dividers, with each drawer having capacity for approximately 150 CDs, 100 DVDs or 100 comics, with a non-slip base. These modules with drawers have great capacity, they reduce floor space and provide user-friendly consultation. The 150 cm high modules can include an upper display for covers of new releases.

The shelves for CDs (capacity for 125 units), DVDs (capacity of 73 units) and Comics can be used in standard shelving, instead of book shelves (they are interchangeable), achieving great storage space flexibility. Compartments, dividers and indicators configure the storage space.



BBL

by JM Massana - JM Tremoleda & E Juanola

Technical specifications (3/9)

m114

mobles114 barcelona
Pau Claris 99 / esc 2 1r 2a
Tel. 34 / 932 600 114
mobles114@mobles114.com
www.mobles114.com

COMPLEMENTS

The BBL system has complements to provide a global shelving solution for library furnishing.

Module for storybooks

Children's module in different versions: single 90x42x61H cm and double 90x80x61H cm.

Based on these configurations, we can increase the size of the shelving by adding 90 cm modules.

Optionally, these modules can have wheels and brake. In this case, shelving with more than 2 modules joined together (180 cm) is not recommended.

Like all the other modules that form part of the collection, they are made of two HPL 8 mm thick sides, joined by a metal structural frame with 40x20 mm section, with their metal shelves and HPL dividers. Non-slip 1.5 mm thick pieces of EPDM foam are placed on the base. The sides of this type of children's module have rounded R20 mm edges. In addition, all the edges are rounded at 0.3 mm (like the rest of the collection) to prevent any protruding corner that might be dangerous for children.

Trolley to transport books

Wheeled trolley with brake, measuring 62x49x111H cm.

Transport handle at height of 90 cm.

8 mm thick HPL sides and rounded edges with 3 metal sloping shelves.



Table shelf

Table-shelf for consultation purposes, with leadthrough, to attach to the double side, 65x40 cm. 3 mm thick steel sheet support, epoxy painted in white RAL 9002 and an HPL white board/table, 646 x 400 mm and 13 mm thick.

This complement is compatible with any panelling of up to 35 mm thick (without panelling, too).



BBL

by JM Massana - JM Tremoleda & E Juanola

Technical specifications (4/9)

m114

mobles114 barcelona
Pau Claris 99 / esc 2 1r 2a
Tel. 34 / 932 600 114
mobles114@mobles114.com
www.mobles114.com

Longitudinal light

Structure

Extruded aluminium. Reflector in high-purity mirrored aluminium which recaptures the light flow for an optimal performance. Translucent diffuser in methacrylate (PMMA). It includes high-efficiency LEDs. Colour temperature 830 (warm White 3000° K). It includes electronic device.

Dimensions: L=895mm W=6mm H=36mm

Lamp characteristics: LED

Light flow: 2700

Color temperature: 3000°K

CRI: 85

Power: 28W

Average lifetime: 50000h

Opening angle: 86°

Fixing

The light is fixed to the BBL shelf with steel plates 3mm thickness and specific screws.

Finished: White or aluminium grey RAL 9006.



Display module

Display model with sloping shelves and wheels.



Panelling

The optional side and/or upper panelling, in all sizes, are standardised in 20 mm natural varnished beech wood board. Consult for other material and thickness options (wood, compact, HPL, glass, etc.).

BBL

by JM Massana - JM Tremoleda & E Juanola

Technical specifications (5/9)

m114

mobles114 barcelona
Pau Claris 99 / esc 2 1r 2a
Tel. 34 / 932 600 114
mobles114@mobles114.com
www.mobles114.com

Signage

To make it easier to classify and locate the different topics of each type of consultation element, the BBL shelving system has different signage accessories. A plaque for the sides of the modules, 0.8 mm thick and 385 mm, an upper cover with longitudinal frontpiece for each module and a transparent polycarbonate (PC) element to incorporate signs with the content of the shelf or drawer, that are easy to interchange and are accessible.

All these elements can be interchanged at any time whenever the librarians deem this advisable.



SINGULAR ELEMENTS

The BBL Shelving System can provide a solution for singular elements or adaptations of standardised elements that are necessary due to project requirements. Consult possibilities and delivery times.

BBL

by JM Massana - JM Tremoleda & E Juanola

Technical specifications (6/9)



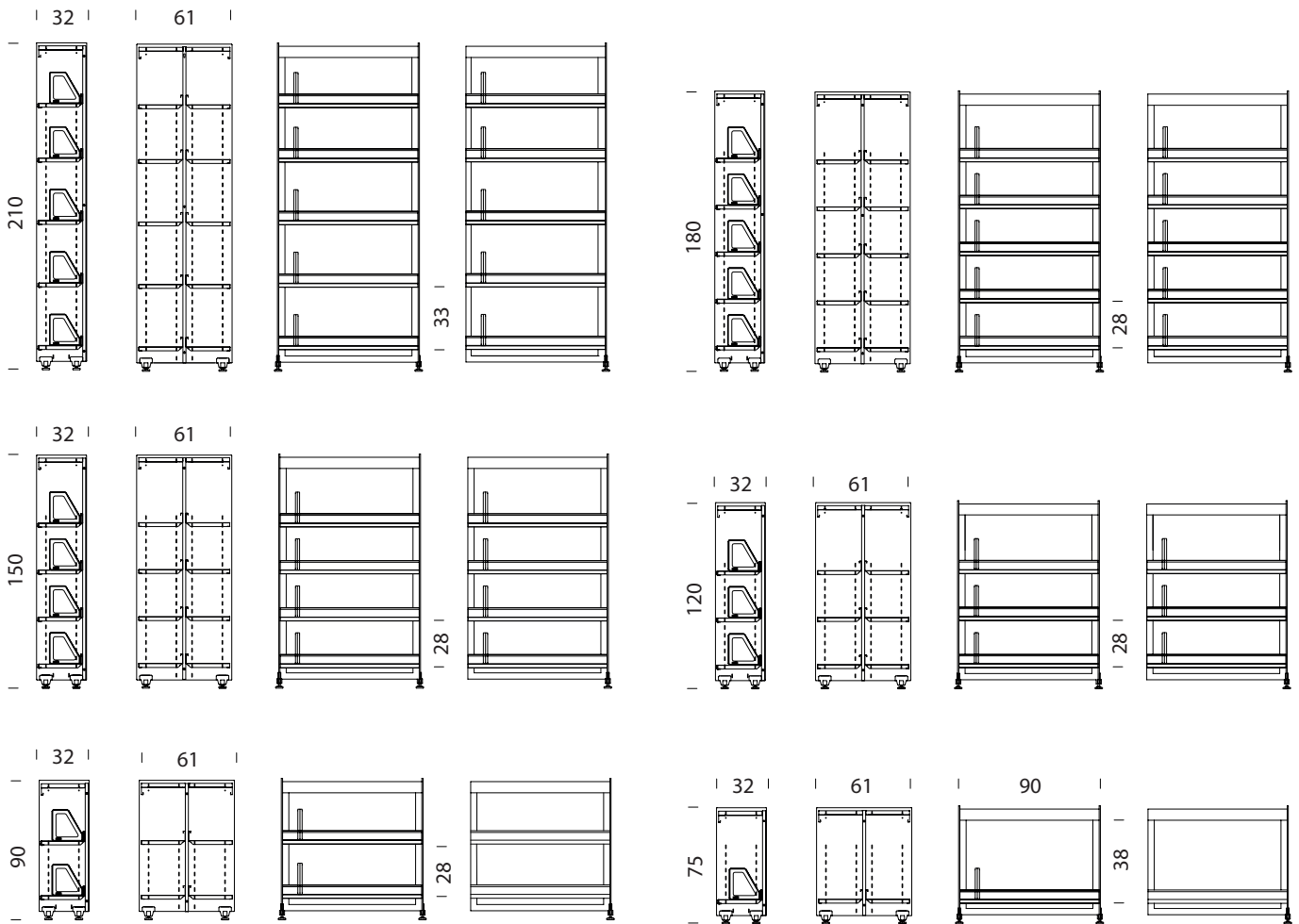
mobles114 barcelona
Pau Claris 99 / esc 2 1r 2a
Tel. 34 / 932 600 114
mobles114@mobles114.com
www.mobles114.com

MODULARITY

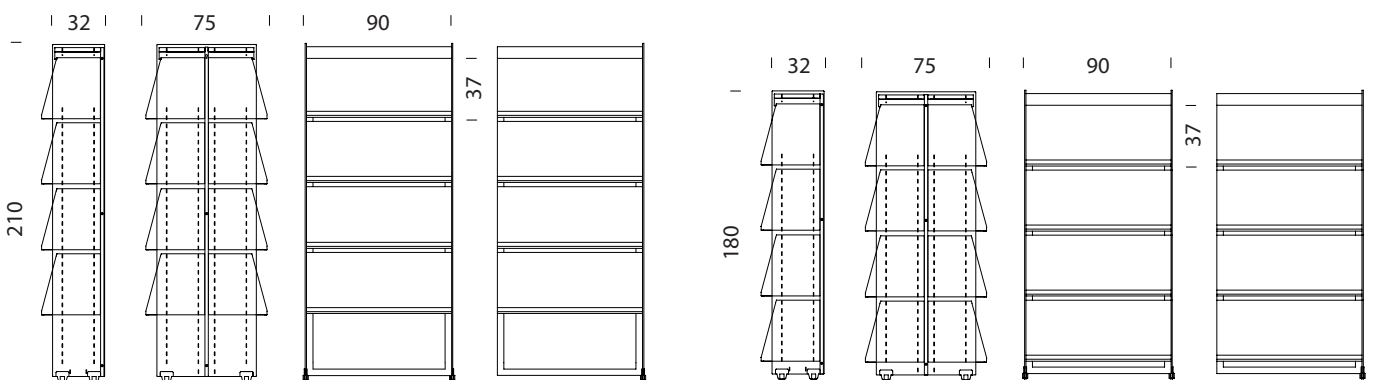
Book shelving

(With the option of replacing book shelves with shelves for CDs/DVDs/Comics)

The BBL shelving system permits combining book shelves on one side and magazine containers on the other in one single dual module. Consult other possible mixed combinations.



Shelving for magazines



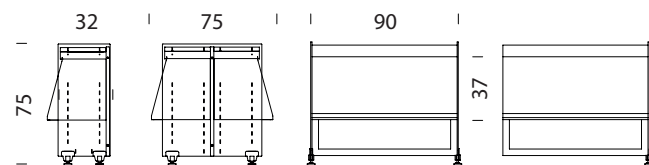
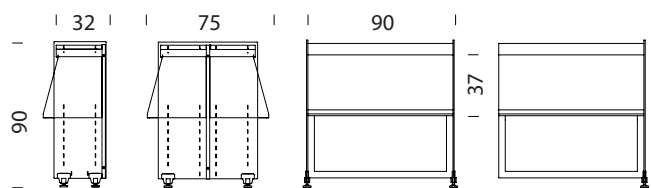
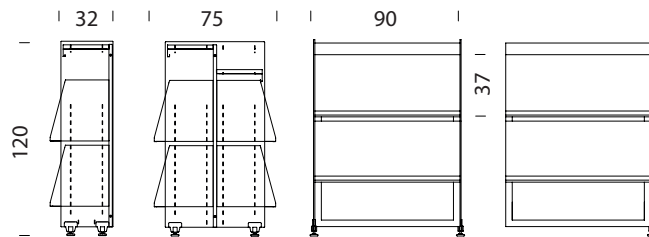
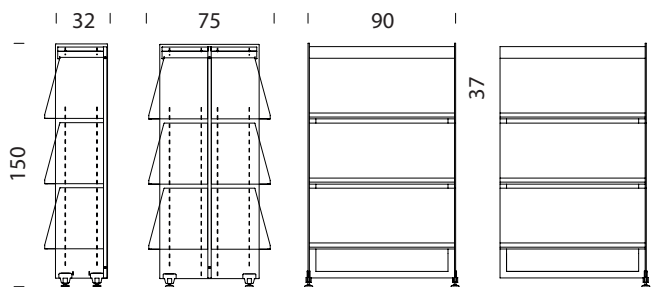
BBL

by JM Massana - JM Tremoleda & E Juanola

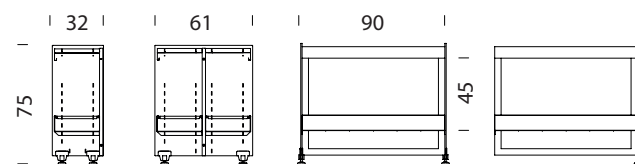
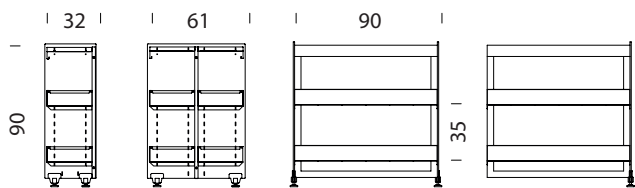
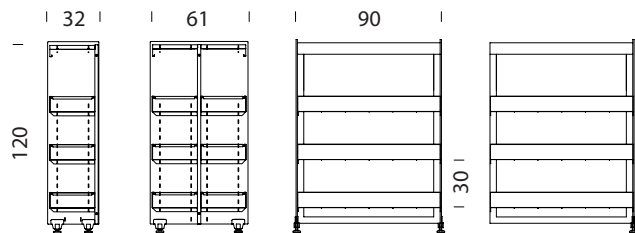
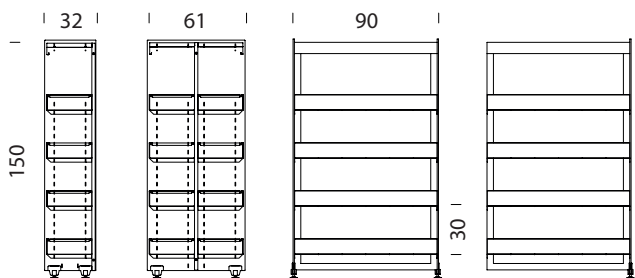
Technical specifications (7/9)



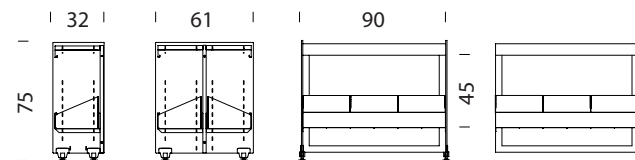
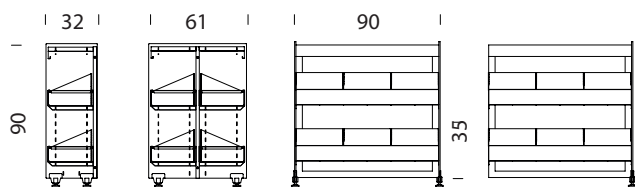
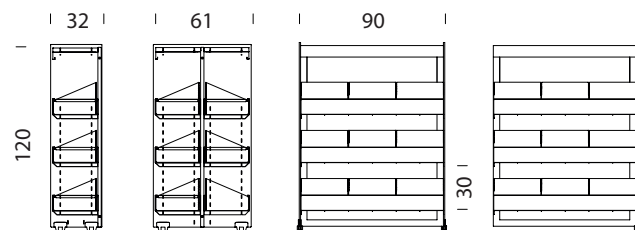
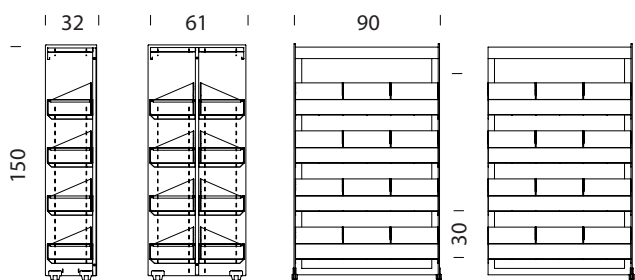
mobles114 barcelona
Pau Claris 99 / esc 2 1r 2a
Tel. 34 / 932 600 114
mobles114@mobles114.com
www.mobles114.com



CD/DVD modules



Modules for comics



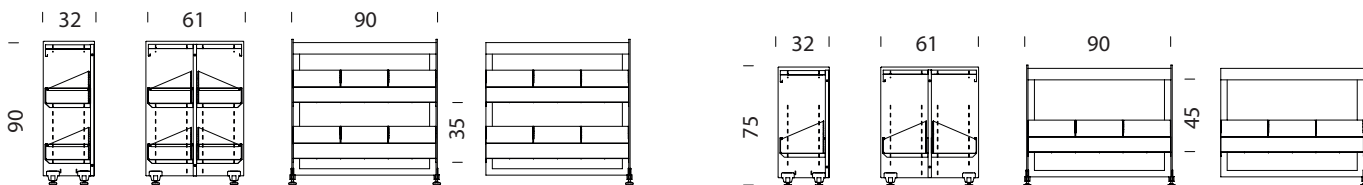
BBL

by JM Massana - JM Tremoleda & E Juanola

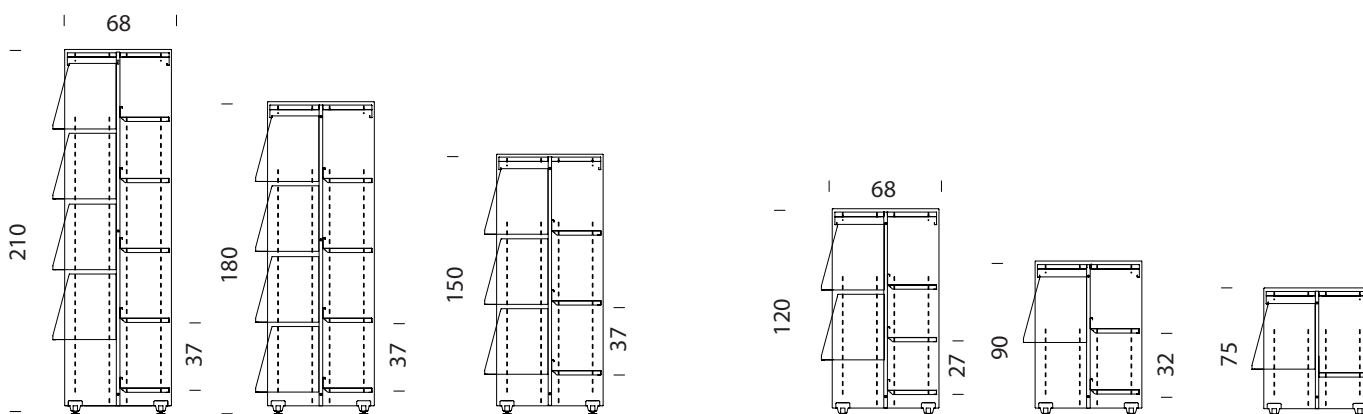
Technical specifications (8/9)



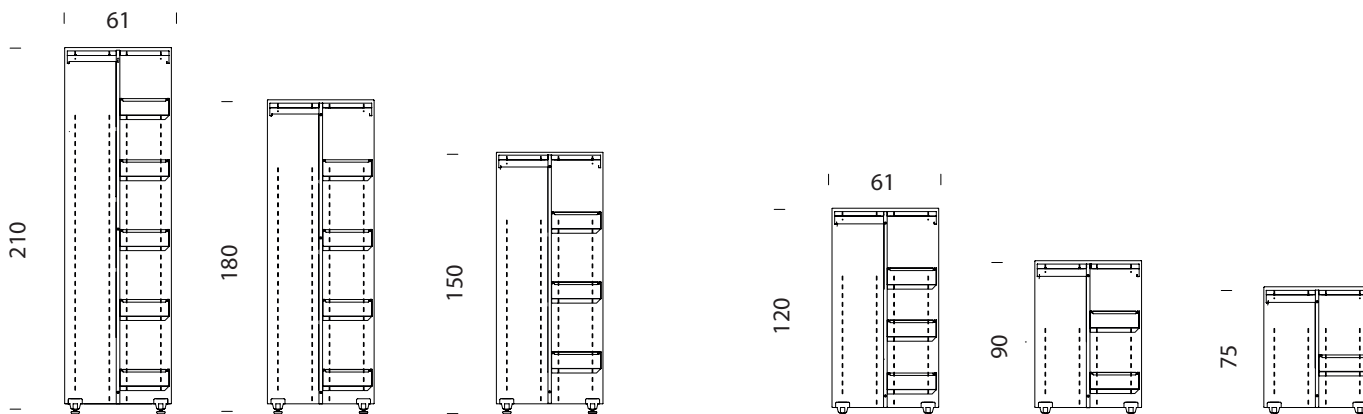
mobles114 barcelona
Pau Claris 99 / esc 2 1r 2a
Tel. 34 / 932 600 114
mobles114@mobles114.com
www.mobles114.com



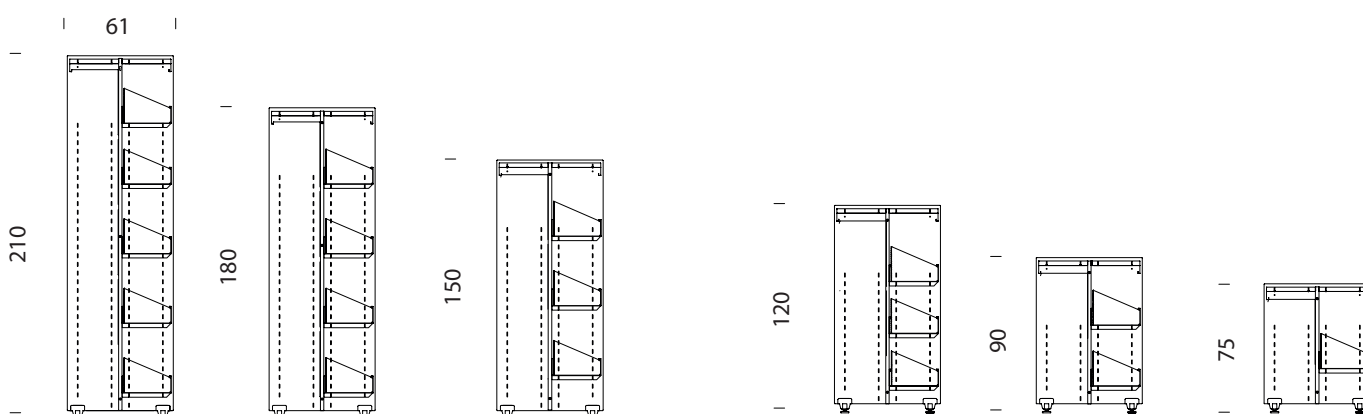
Mixed modules: Books + magazines



Mixed modules: Books + CD/DVD



Mixed modules: Books + Comics



BBL

by JM Massana - JM Tremoleda & E Juanola

Technical specifications (9/9)

m114

mobles114 barcelona
Pau Claris 99 / esc 2 1r 2a
Tel. 34 / 932 600 114
mobles114@mobles114.com
www.mobles114.com

CERTIFICATIONS AND REGULATIONS

The BBL shelving system satisfies the indications recommended by the Technical Departments of different institutions specialised in furnishing public libraries.

UNE 11016:1989, ISO 7170:2005 and UNE 11023-2:92 applicable for cupboards and similar furniture for household and public use for test level 4 corresponding to normal public use. Test methods to determine structural resistance and durability. Specifications.

HLP regulations:

EN 438-4 CGS

Density DIN 52350 ISO1183 1.4g/cm³

Low Formaldehyde emission E1

High resistance to falling ball impact

EN 438-2 point 21 8 mm

High scratch resistance EN 438-2 point 25 degree 3N/mm-scrape 4N/mm

Bending resistance EN ISO 178 100Mpa

Light resistance EN 438-2 point 27 Level 6-8

Bending resistance EN ISO 178 100MPa

Reaction to fire Europe EN 13501-1

Euroclass C-s2,d0

Surface resistance DIN 53482 109 - 1011 Ohm

Cigarette burn resistance. No changes

ISO 9001 (registered company)

Paint and finish:

Interpon powder paint. The product has been assessed according to the traditional calculation method of the Dangerous Substances Directive 1999/45/EC and it is not classified as dangerous for the Environment. (Dangerous Substances Directive 67/548/EEC).

Miscellaneous:

ISO 9001 for sheet metal supplier and transformer company.

ISO 14001 for company managing waste from the transformation of sheet metal.

Environmental Municipal Licence for company supplying and transforming sheet metal.

EN 60598-1, EN 60598-2-1 Lighting test certificates.

ISO 9001:2008, ISO 14001:2004, ISO TS 16949, OHSAS 18001:2007 for aluminium supplier.

ISO 9001-2000, ISO TS16949 TÜV, ISO 14001 for steel supplier.

ECODESIGN

Mobles 114 is a company that is concerned and committed to improving the quality of life and the preservation of the planet. To this end, it acts responsibly both in terms of the Edition and Design of its products, and the control of its production processes.

The BBL system has been designed in accordance with criteria that have maximum respect for environmental impact during its entire production and life cycle. It has been designed pursuant to ISO 14005 Ecodesign Management System for the reduction of its environmental impact.